

# U.S. MAIN BATTLE TANK

## M1A1 / A2 w/Full Interior



### Assembly Icon



OPTIONAL  
选择



CEMENT  
膠水



DO NOT CEMENT  
不使用膠水



INSTANT CEMENT  
瞬間接著劑



BEND  
彎折



MAKE 2pcs  
製作2組



OPEN HOLE  
鑽孔



CAT  
切除



BE CAREFUL  
注意



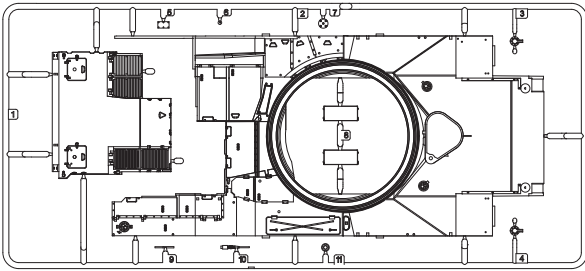
APPLY DECAL  
貼上水貼紙



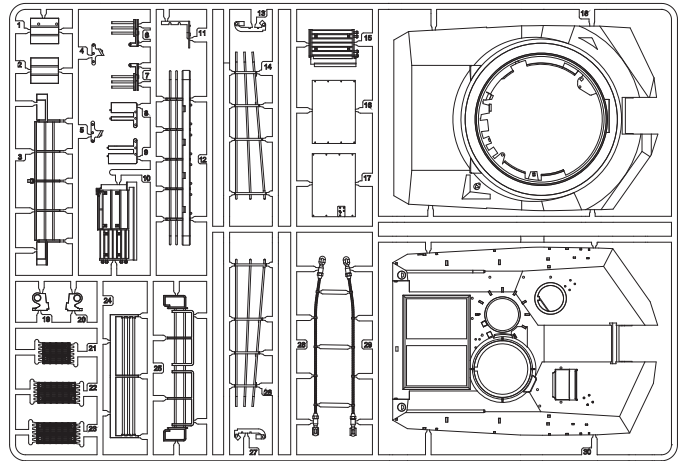
Read carefully and fully understand the instructions before commencing assembly.  
Supervising adult should also read the instructions if a child assembles the model.  
When you used glue or paint, do not use near a naked flame, and use in a well-ventilated room.  
When assembling this kit, tools including knives are used. Extra care should be taken to avoid personal injury.  
Read and follow the instructions supplied with paints and/ or cement. Use plastic cement and paints only.  
Keep out of reach of small children. Children must not be allowed to suck any part, or pull vinyl bag over the head.

在裝配前仔細閱讀說明並完全理解。小孩裝配時需成人看護且需仔細閱讀說明。  
使用膠水和油漆時，應遠離火源並打開窗戶保持空氣流通。  
製作時請格外注意工具刀和零件的鋒利尖銳部分，避免對身體造成傷害。  
在使用膠水和油漆前仔細閱讀注意事項，按照說明正確使用膠水和油漆。  
請將本品放在兒童接觸不到的地方，套件中的塑膠包裝袋會對兒童造成窒息的危險。

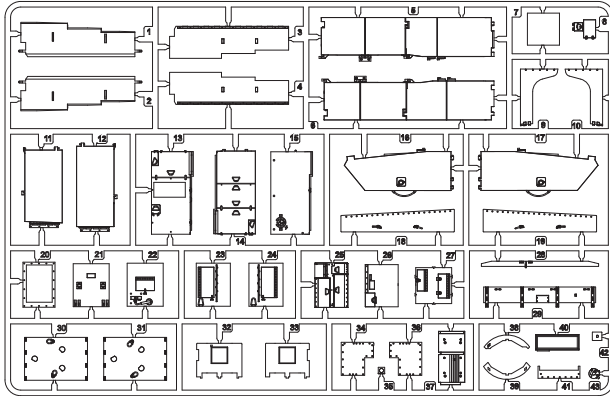
**A X1**



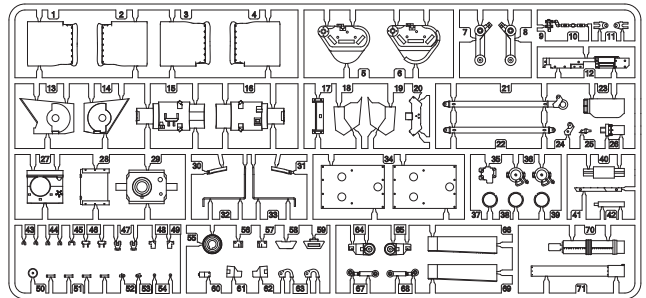
**D X1**



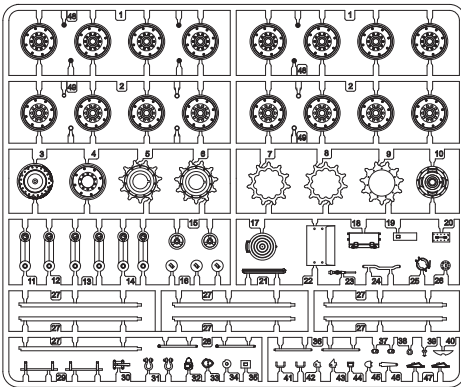
**B X1**



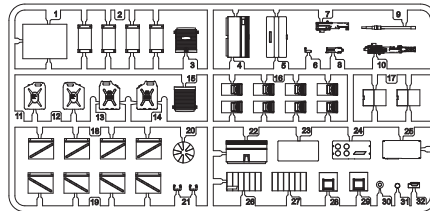
**F X1**



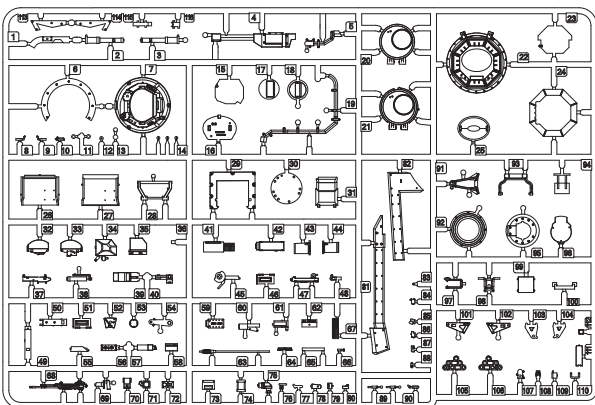
**C X2**



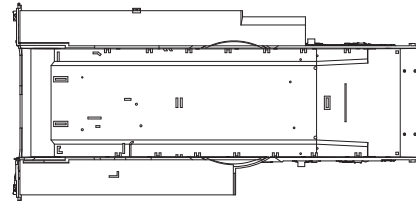
**O X2**



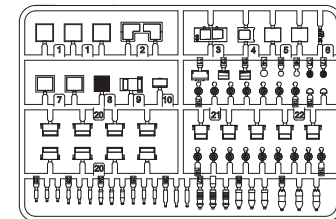
**E X1**



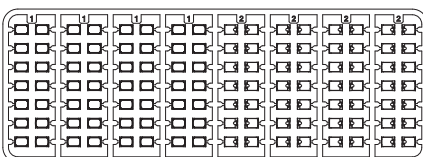
**Lower Hull X1**



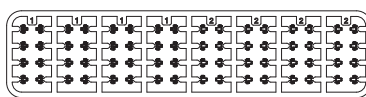
**T X1**



**Y X6**



**X X5**



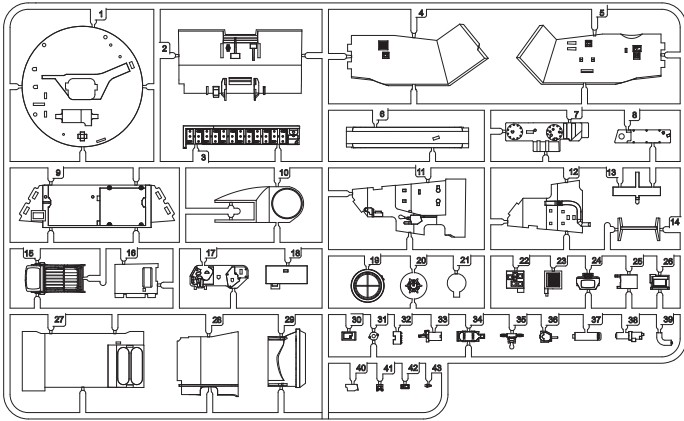
**Tracks Pins X156**



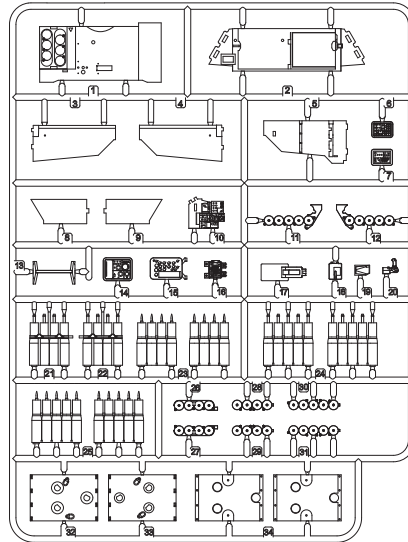
**Assembly Boards X2**



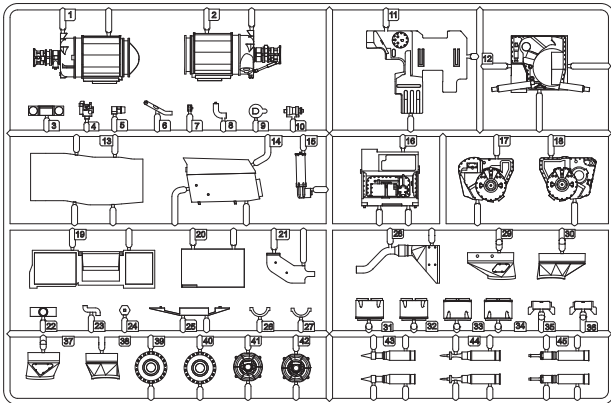
### G X1



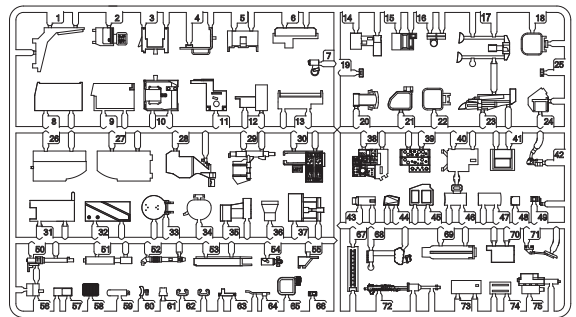
### N X1



### P X1



### L X1



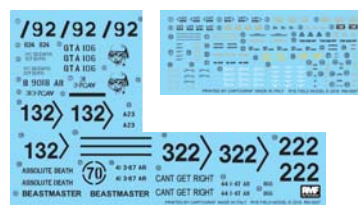
### Z1 X1



### Z2 X1



### Decal X1







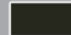
# M1A1 w/FULL INTERIOR

Main Battle Tank

## Painting and Marking Guide

Color info and profiles by




 A.MIG 033 Rubber & Tires

 A.MIG 046 Matt Black

 A.MIG 084 NATO Green

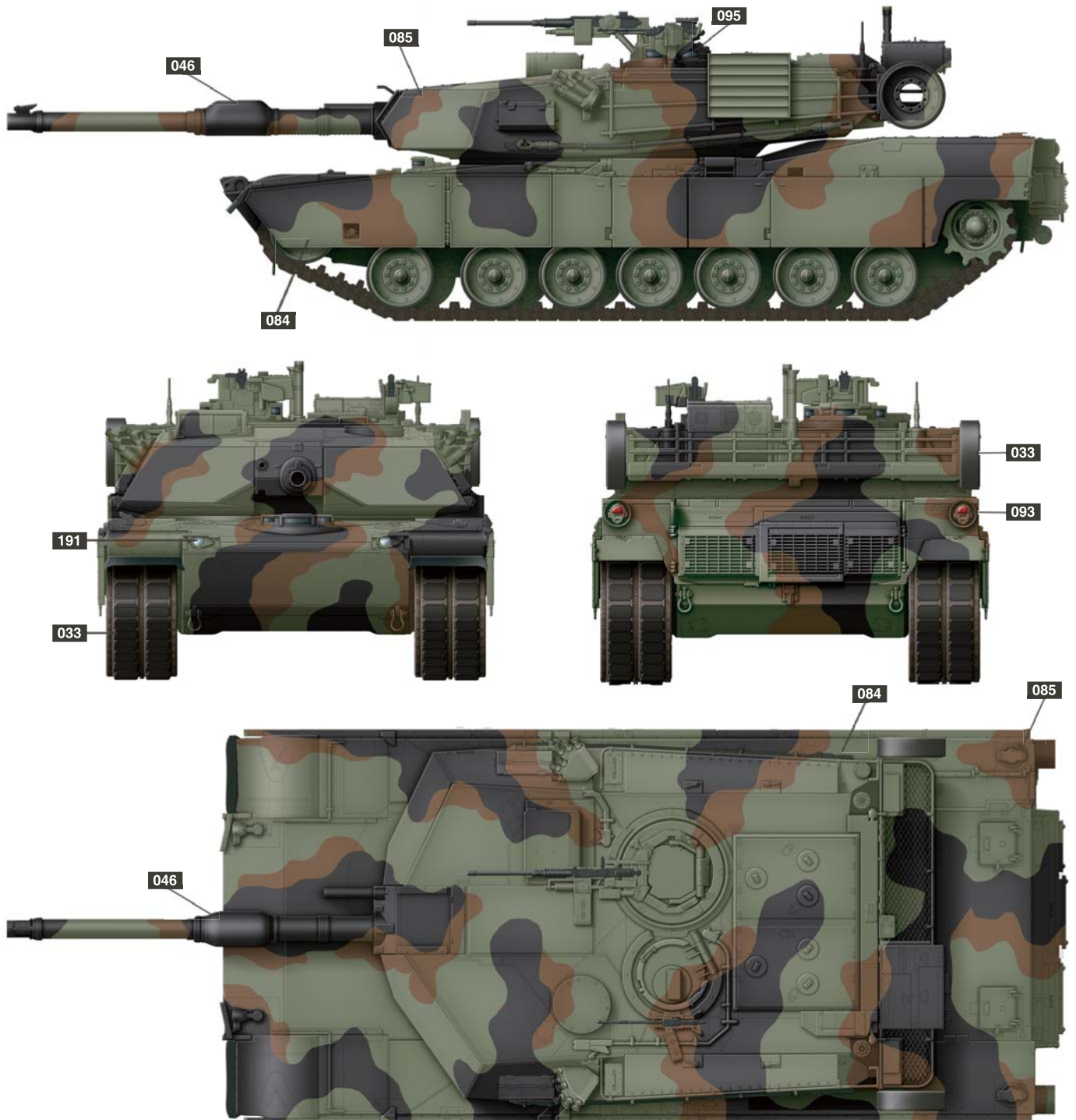
 A.MIG 085 NATO Brown

 A.MIG 093 Crystal Red

 A.MIG 095 Crystal Smoke

 A.MIG 191 Steel

## M1A1







# M1A1 w/FULL INTERIOR

Main Battle Tank

## Painting and Marking Guide

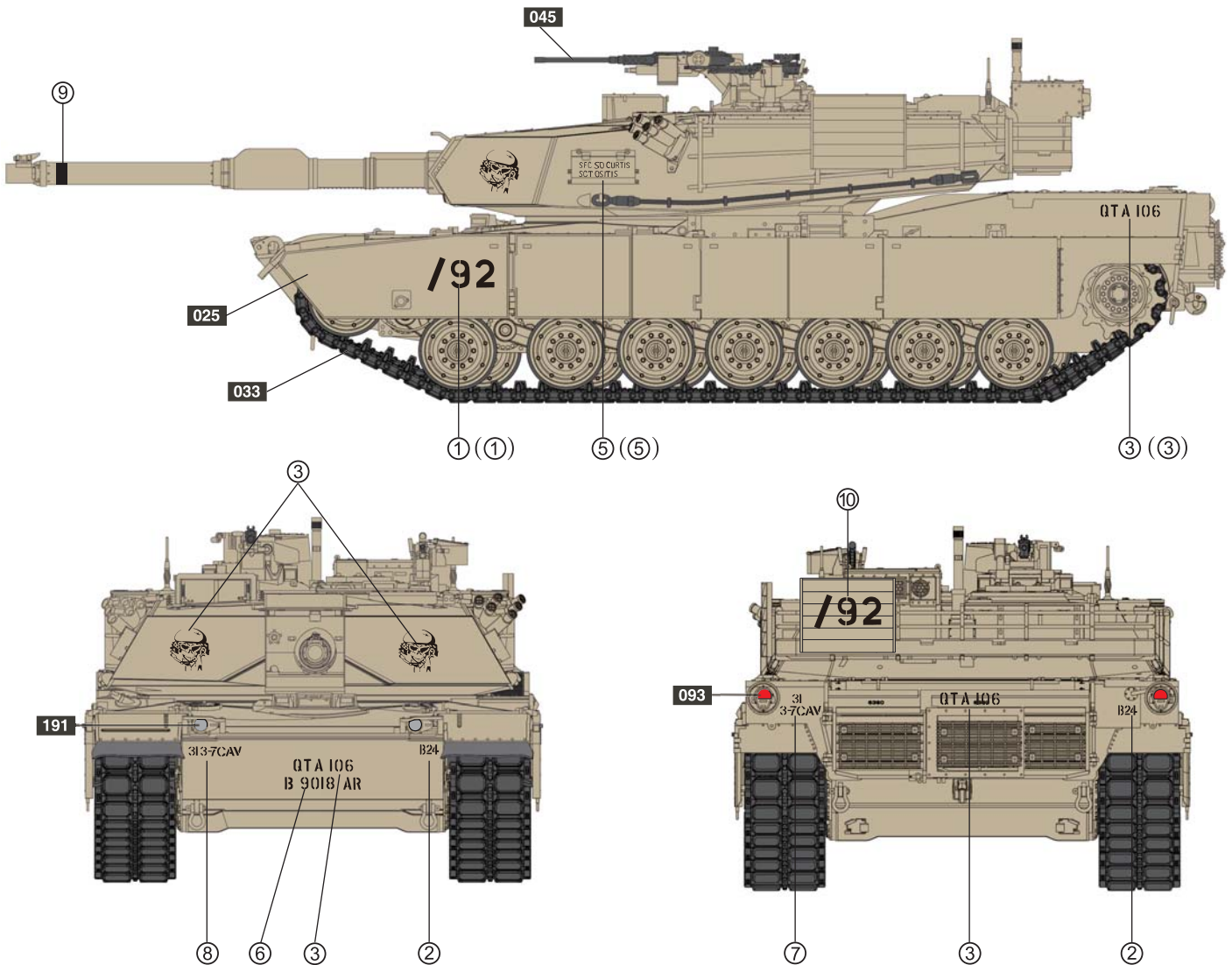
Color info and profiles by



 A.MIG 033 Rubber & Tires	 A.MIG 046 Matt Black	 A.MIG 084 NATO Green
 A.MIG 085 NATO Brown	 A.MIG 093 Crystal Red	 A.MIG 095 Crystal Smoke
 A.MIG 191 Steel	 A.MIG 025 US Modern Vehicles	

M1A1, 4th gun tank, 2nd Platoon, B Company, 3-7 Cavalry.

*The 3-7 CAV marking is used with permission from Echelon Fine Details!*





# M1A2 w/FULL INTERIOR

Main Battle Tank

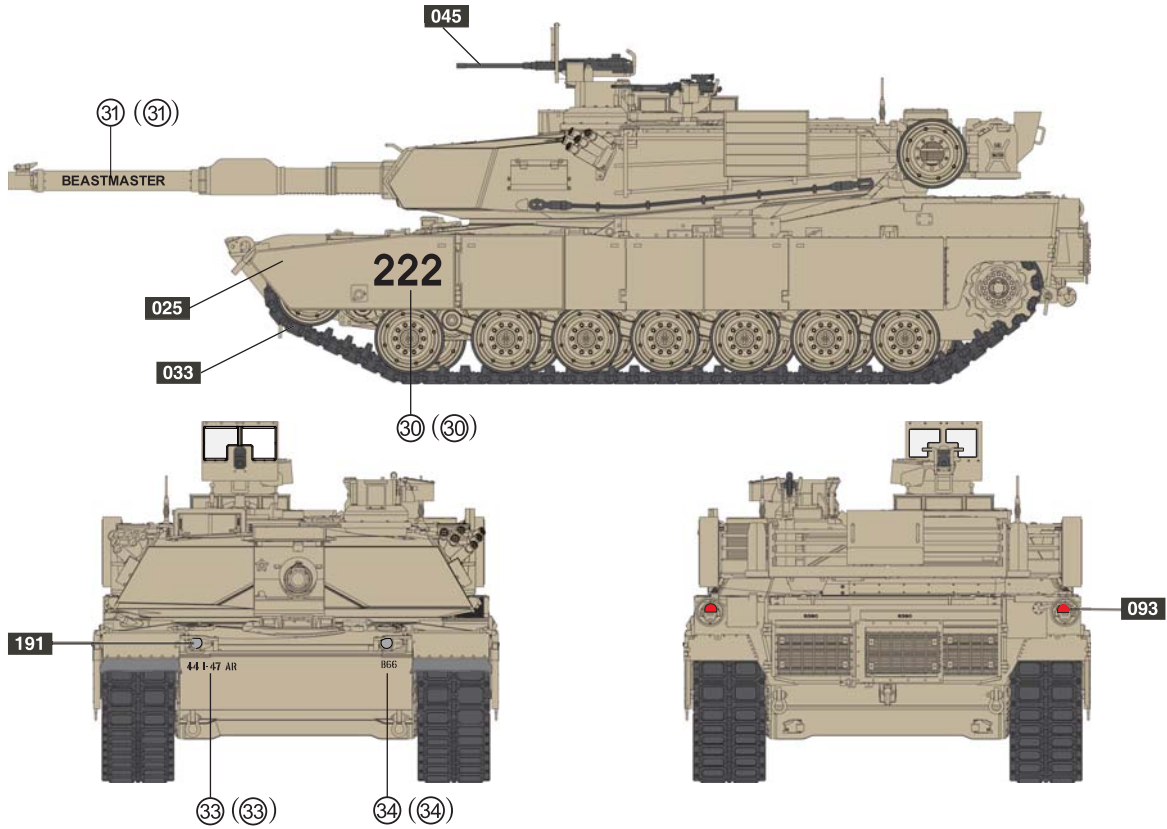
## Painting and Marking Guide

Color info and profiles by

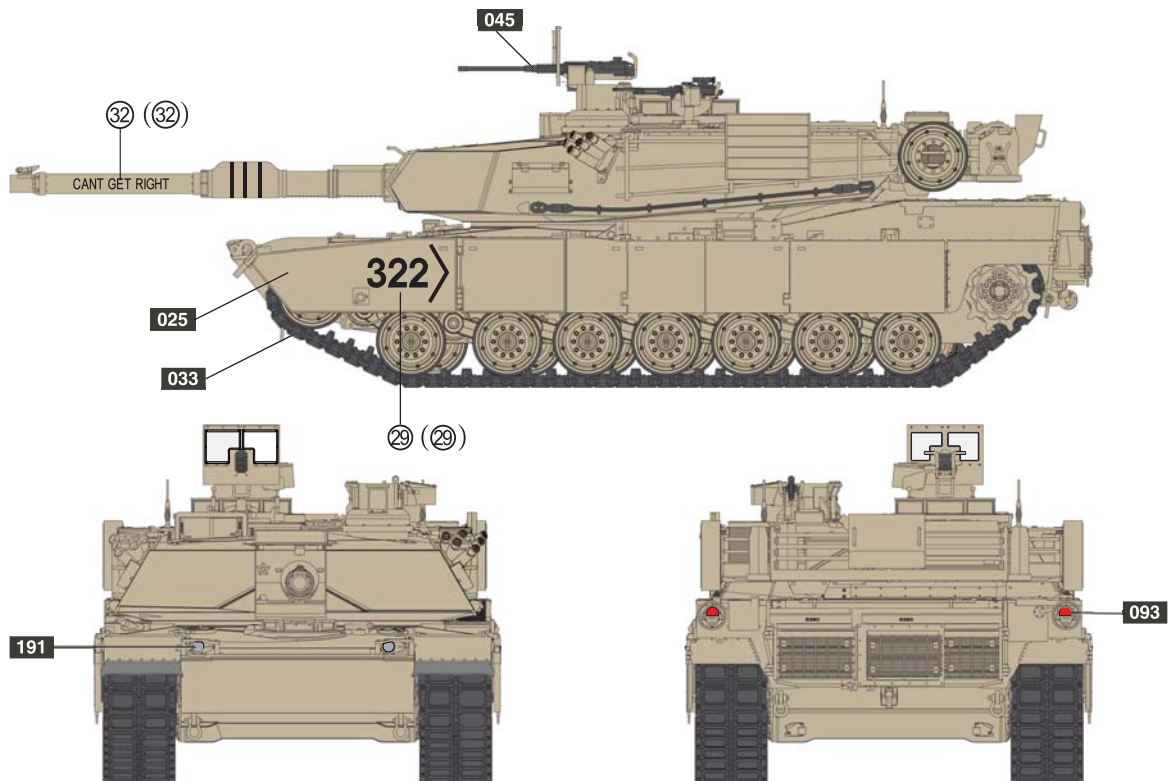


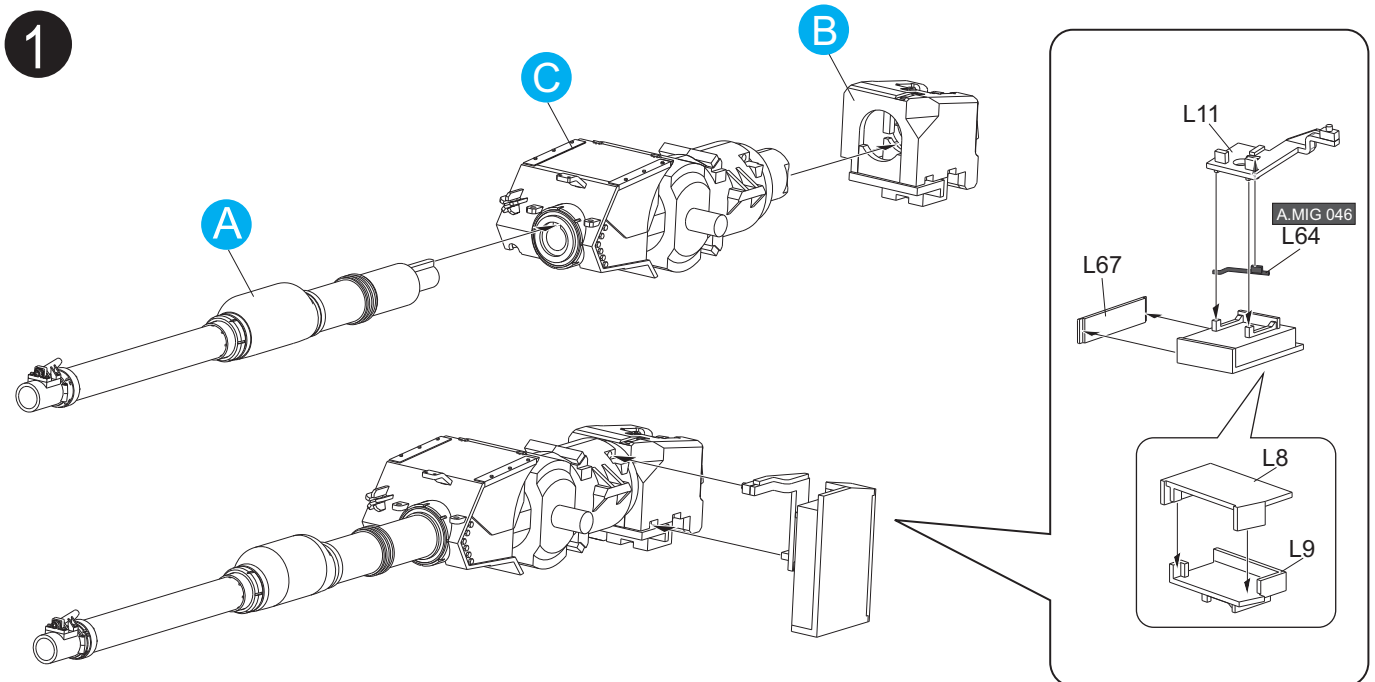
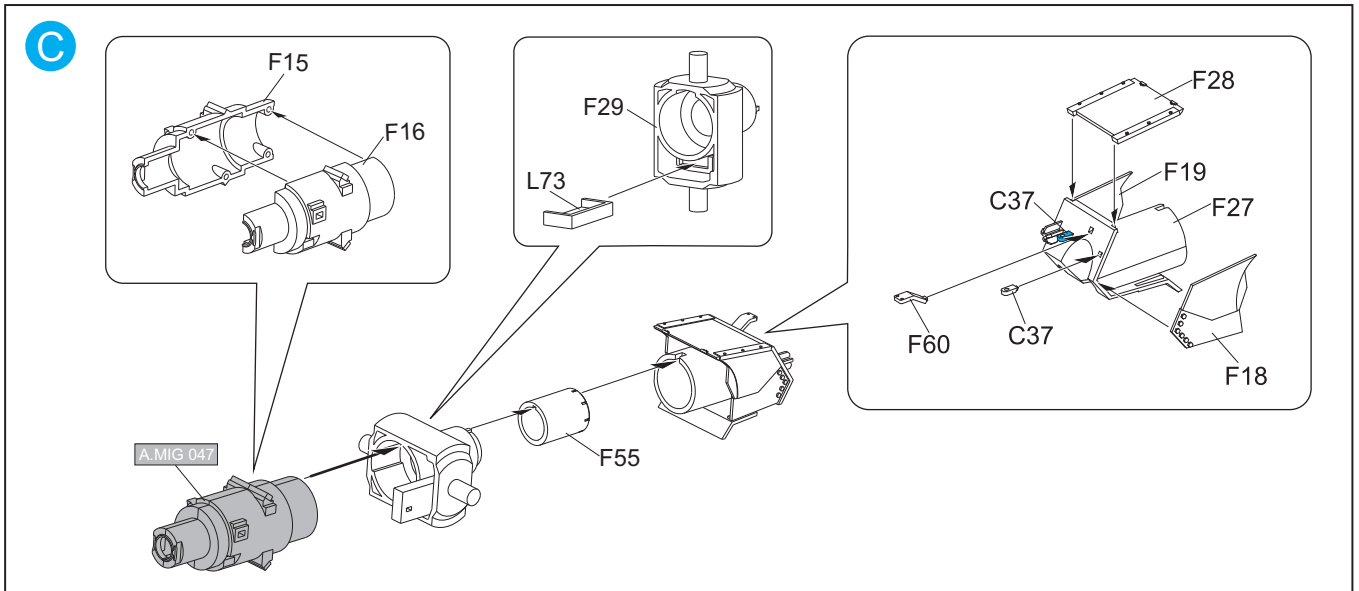
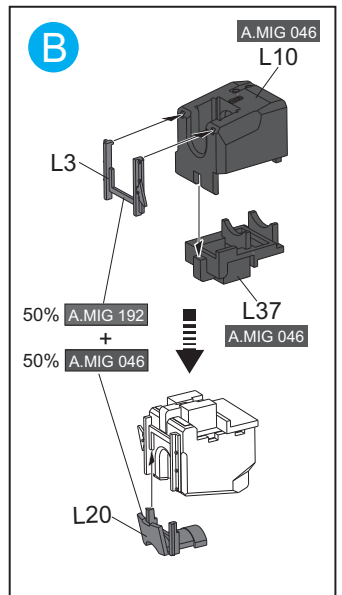
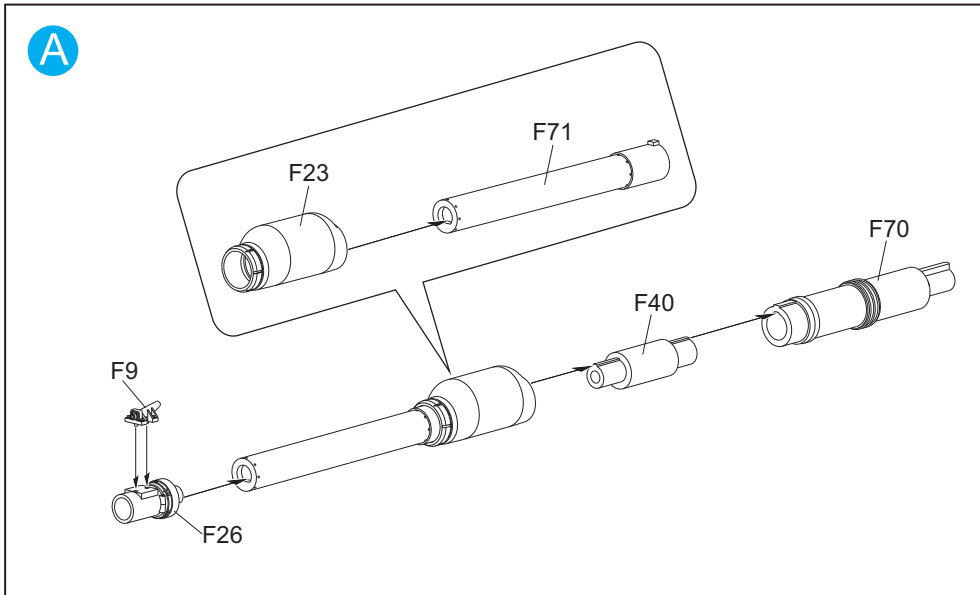
 A.MIG 033 Rubber & Tires	 A.MIG 046 Matt Black	 A.MIG 084 NATO Green
 A.MIG 085 NATO Brown	 A.MIG 093 Crystal Red	 A.MIG 095 Crystal Smoke
 A.MIG 191 Steel	 A.MIG 025 US Modern Vehicles	

### M1A2



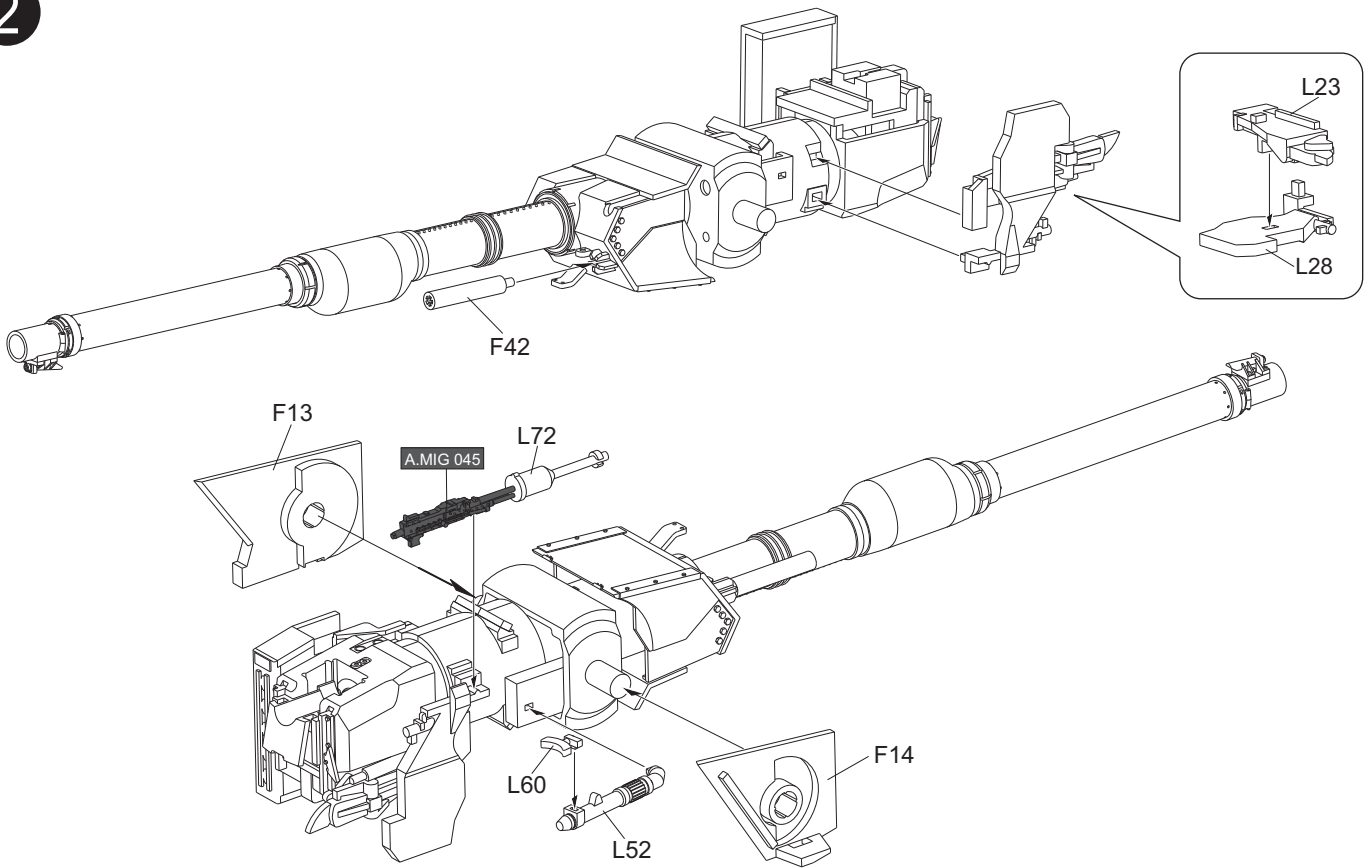
### M1A2



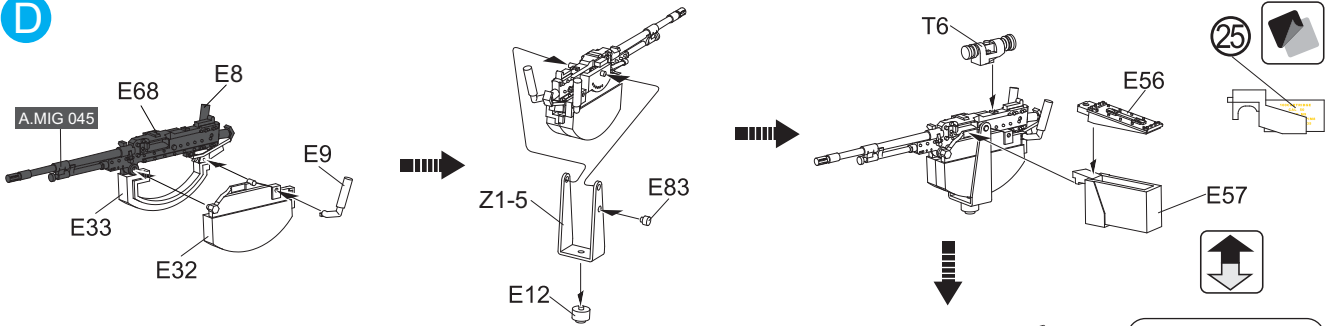




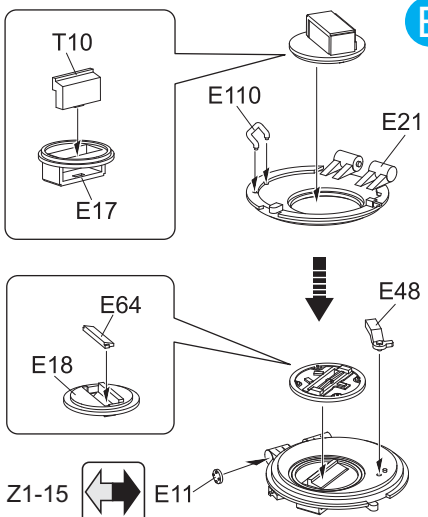
2



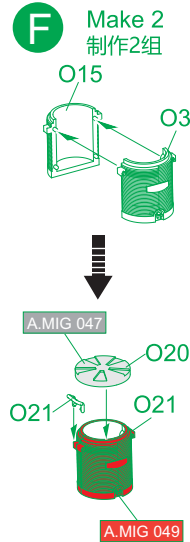
D



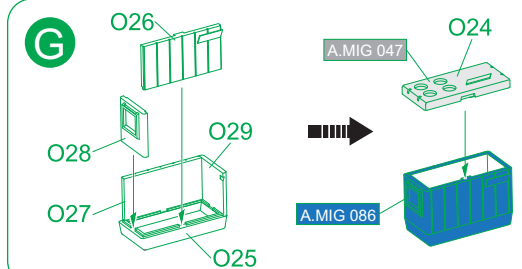
E

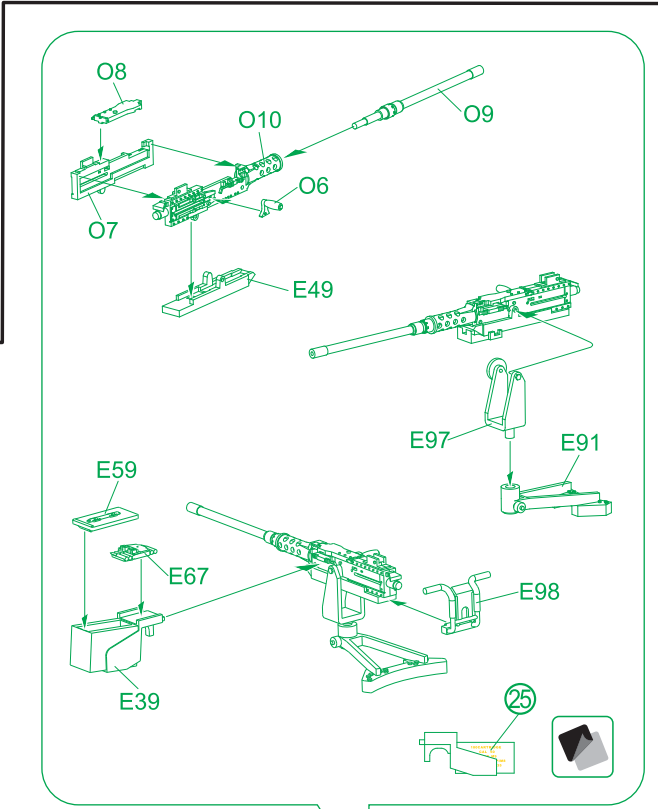
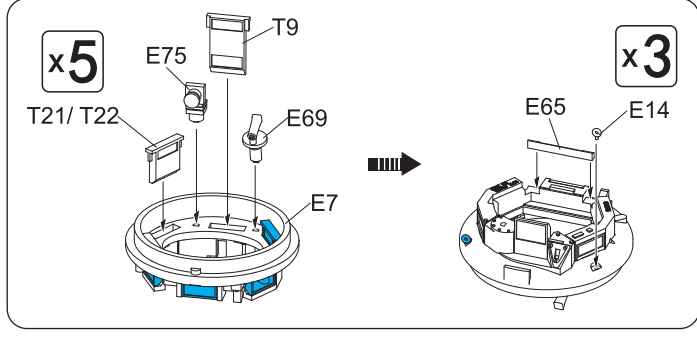
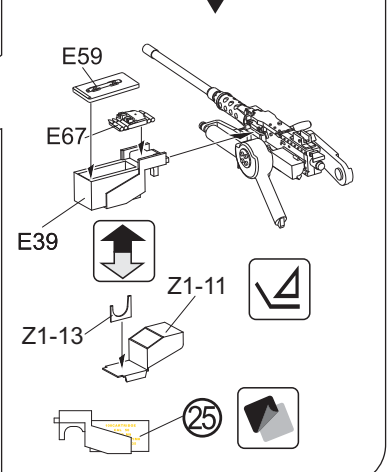
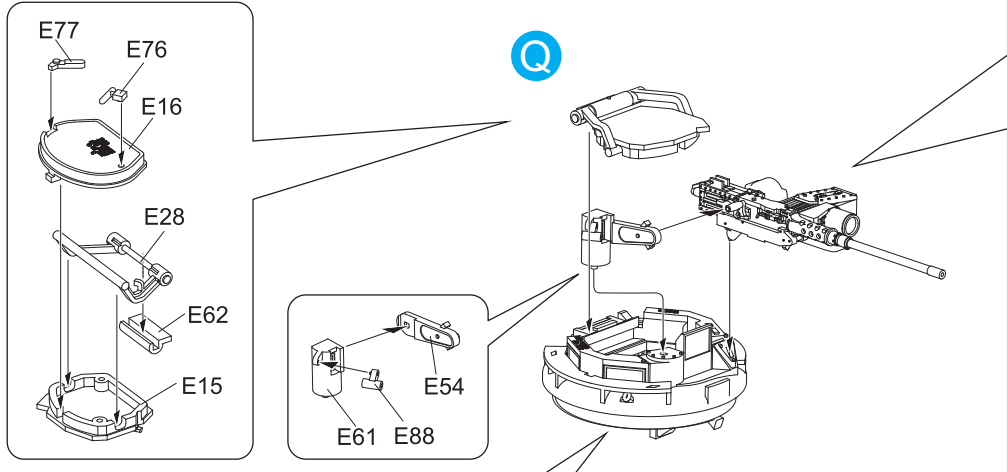
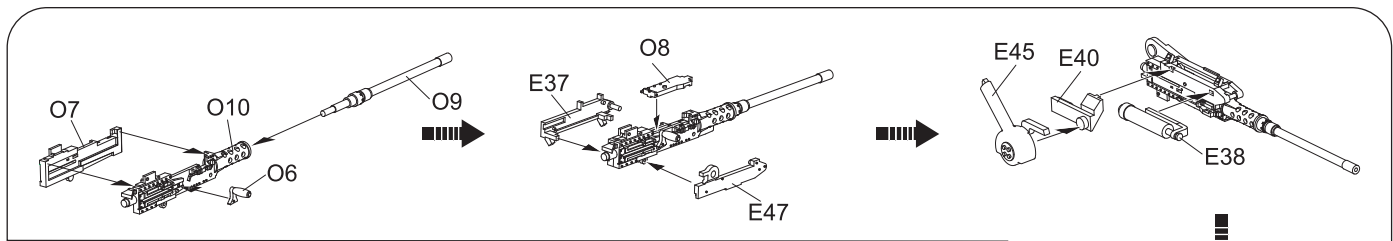


F

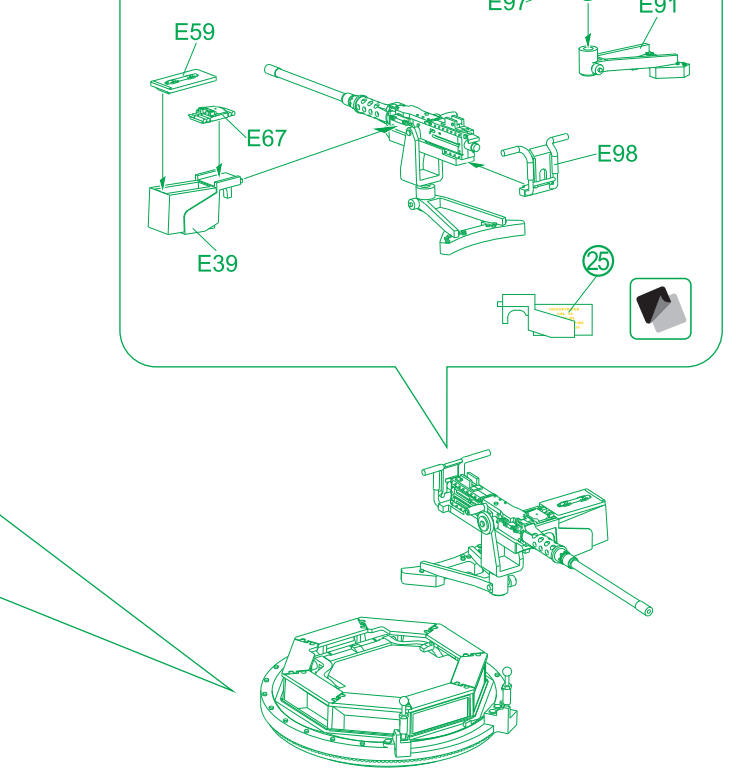
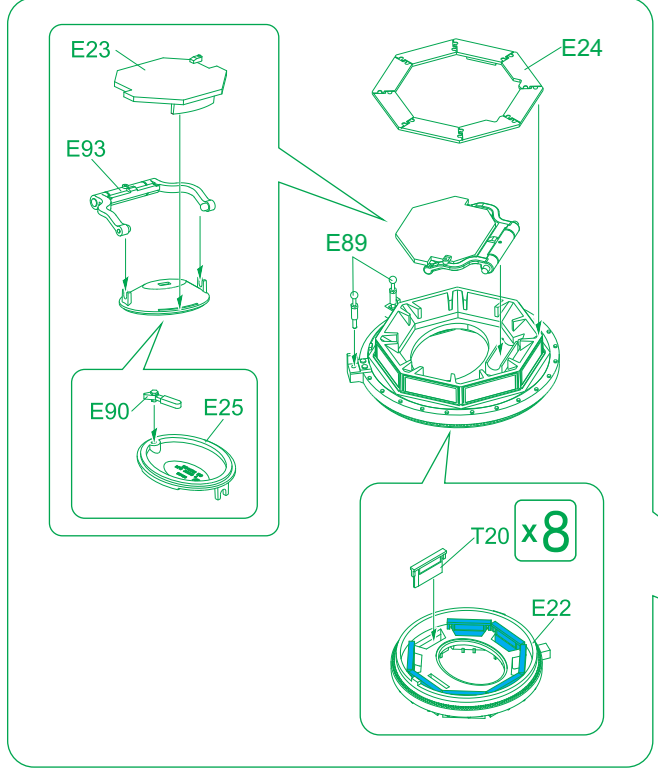


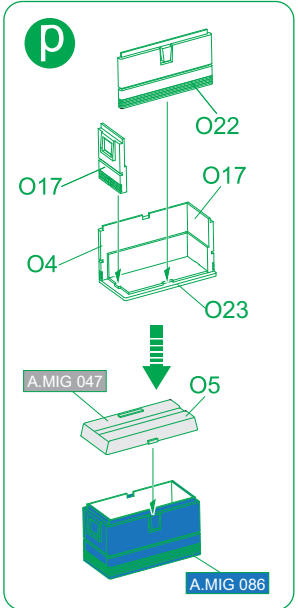
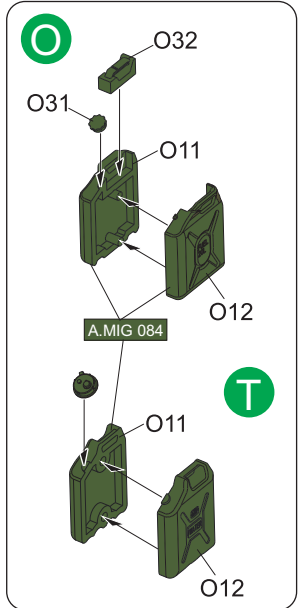
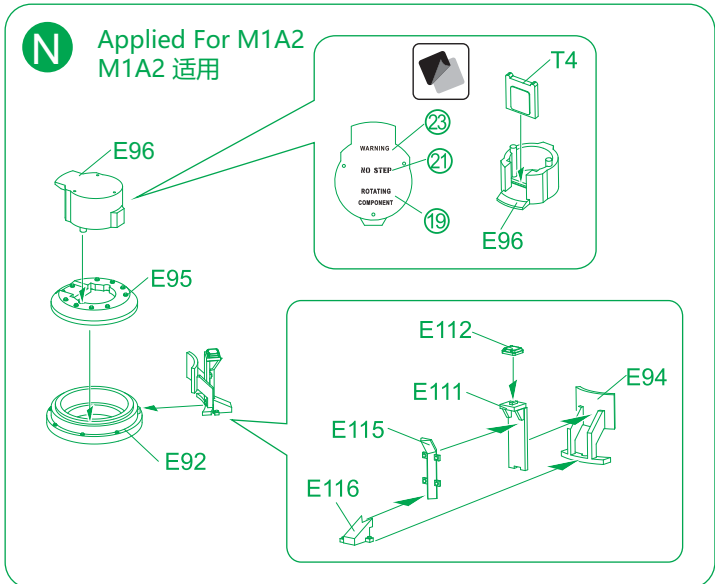
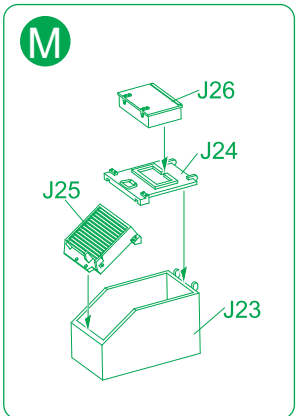
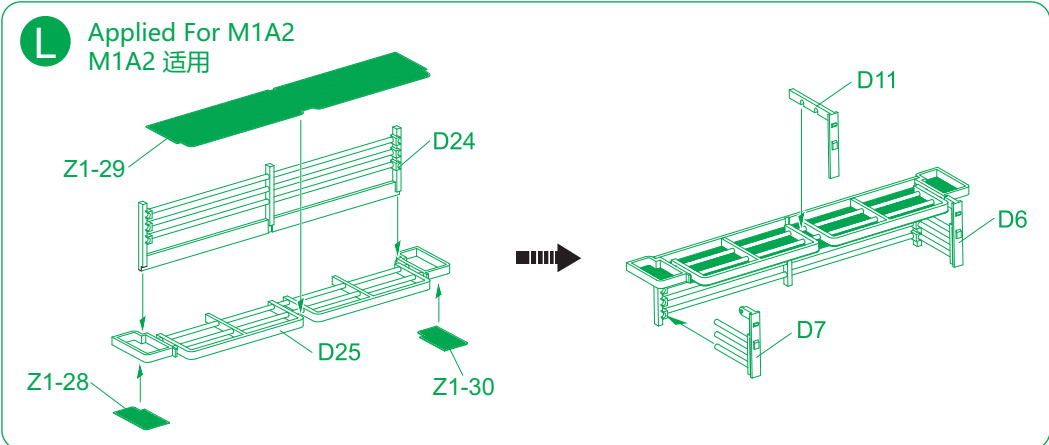
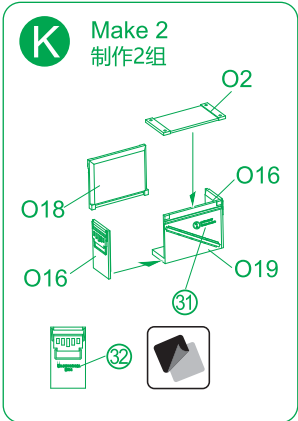
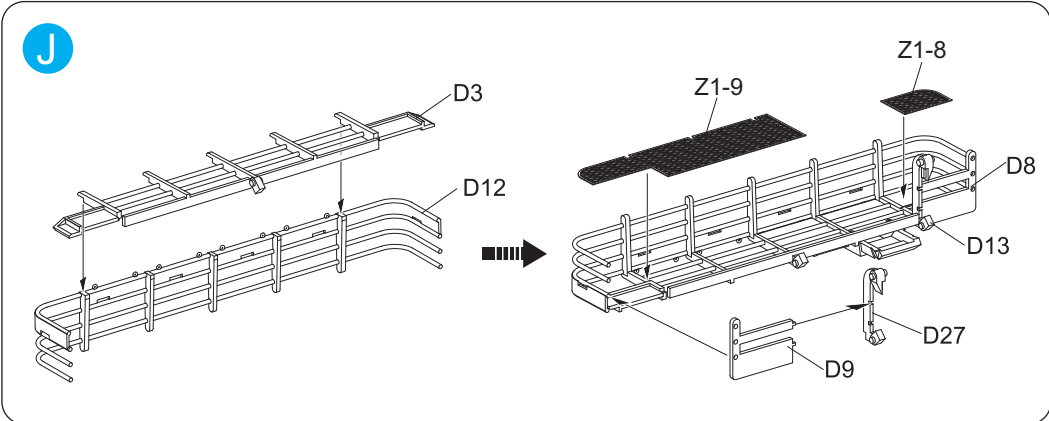
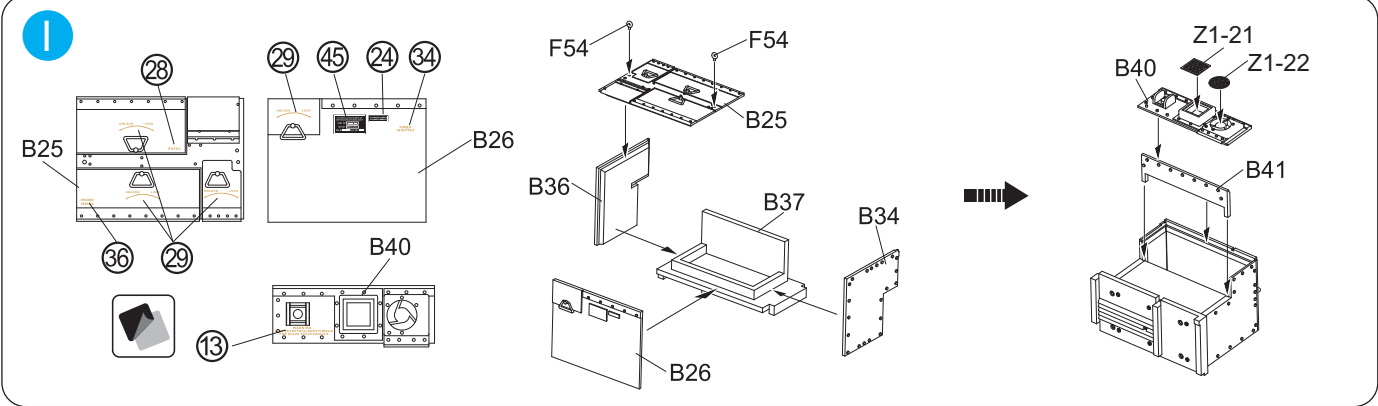
G





**R** Applied For M1A2  
M1A2 适用

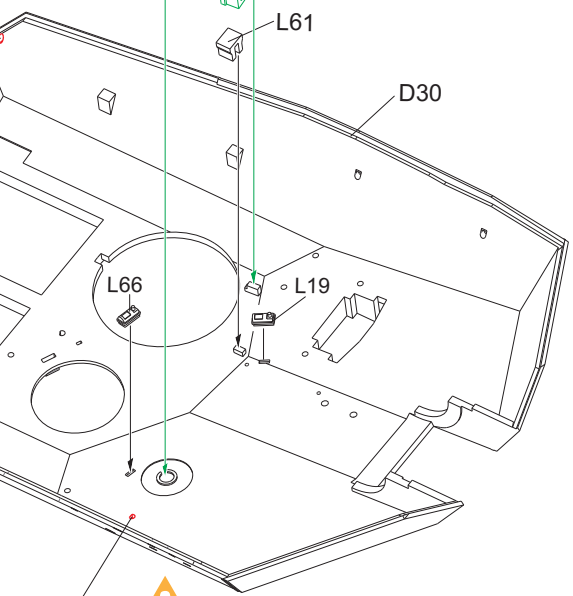






3

Applied For M1A2  
M1A2 适用

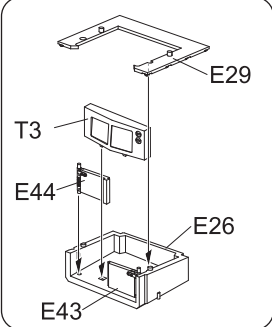


Do Not For M1A2  
M1A2 不适用

Applied For M1A2  
M1A2 适用

Do Not For M1A2  
M1A2 不适用

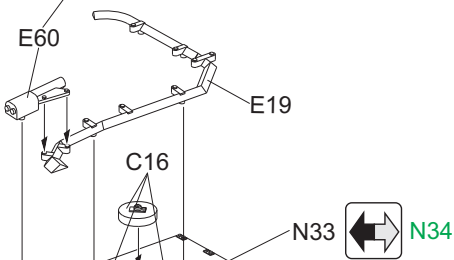
0.7mm  
Do Not For M1A2  
M1A2 不适用



N

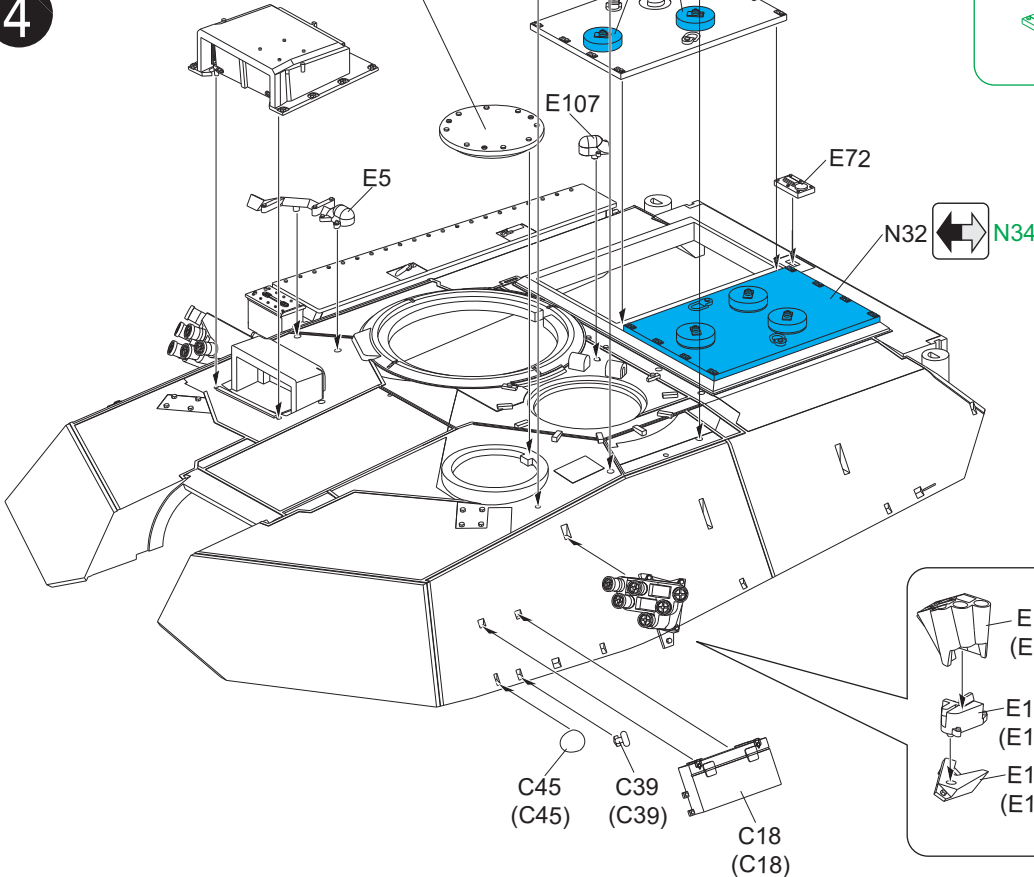


E30

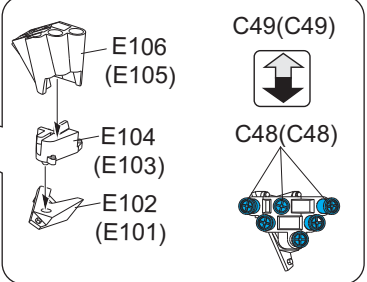


Applied For M1A2  
M1A2 适用

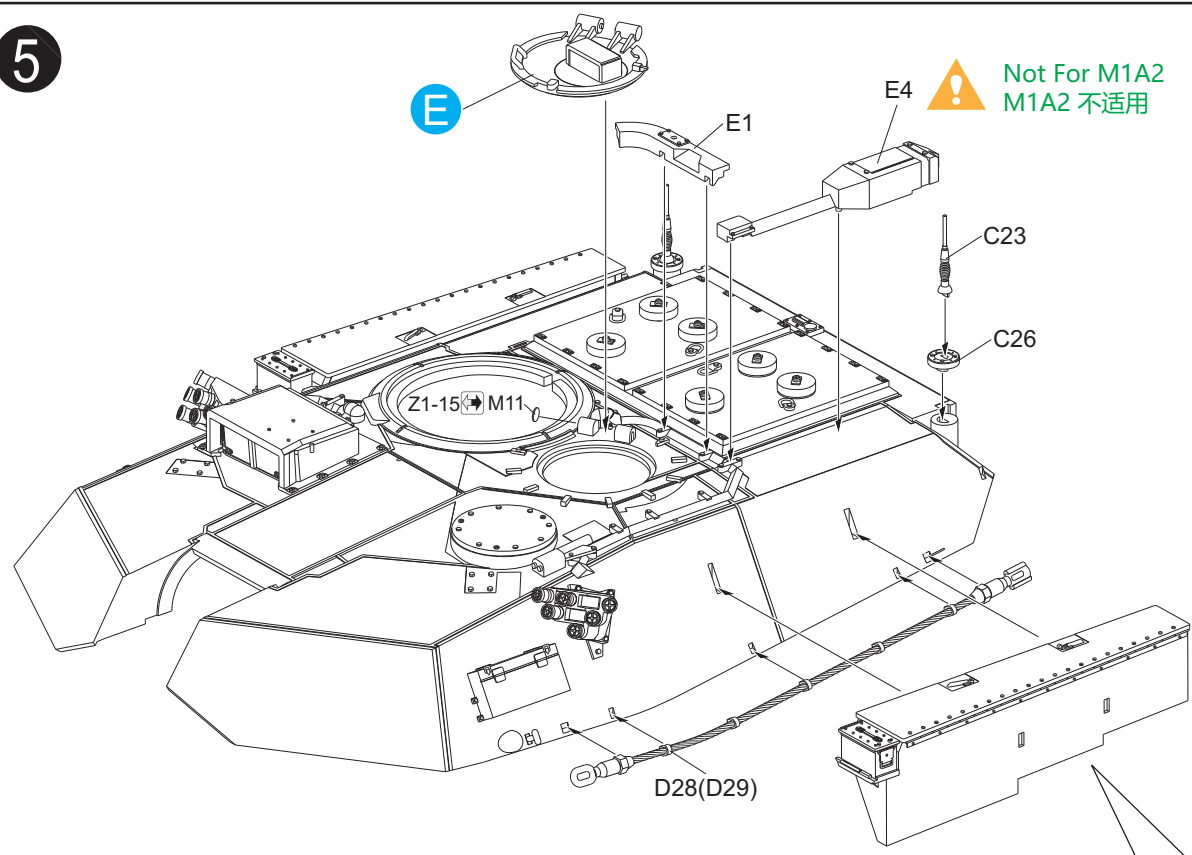
4



Applied For M1A2  
M1A2 适用

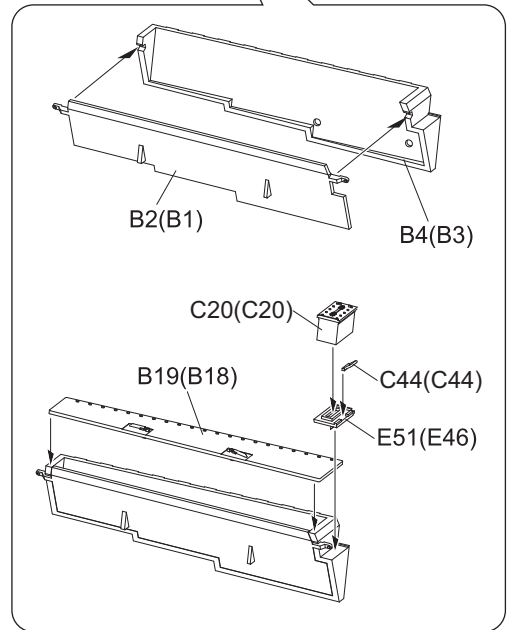


5

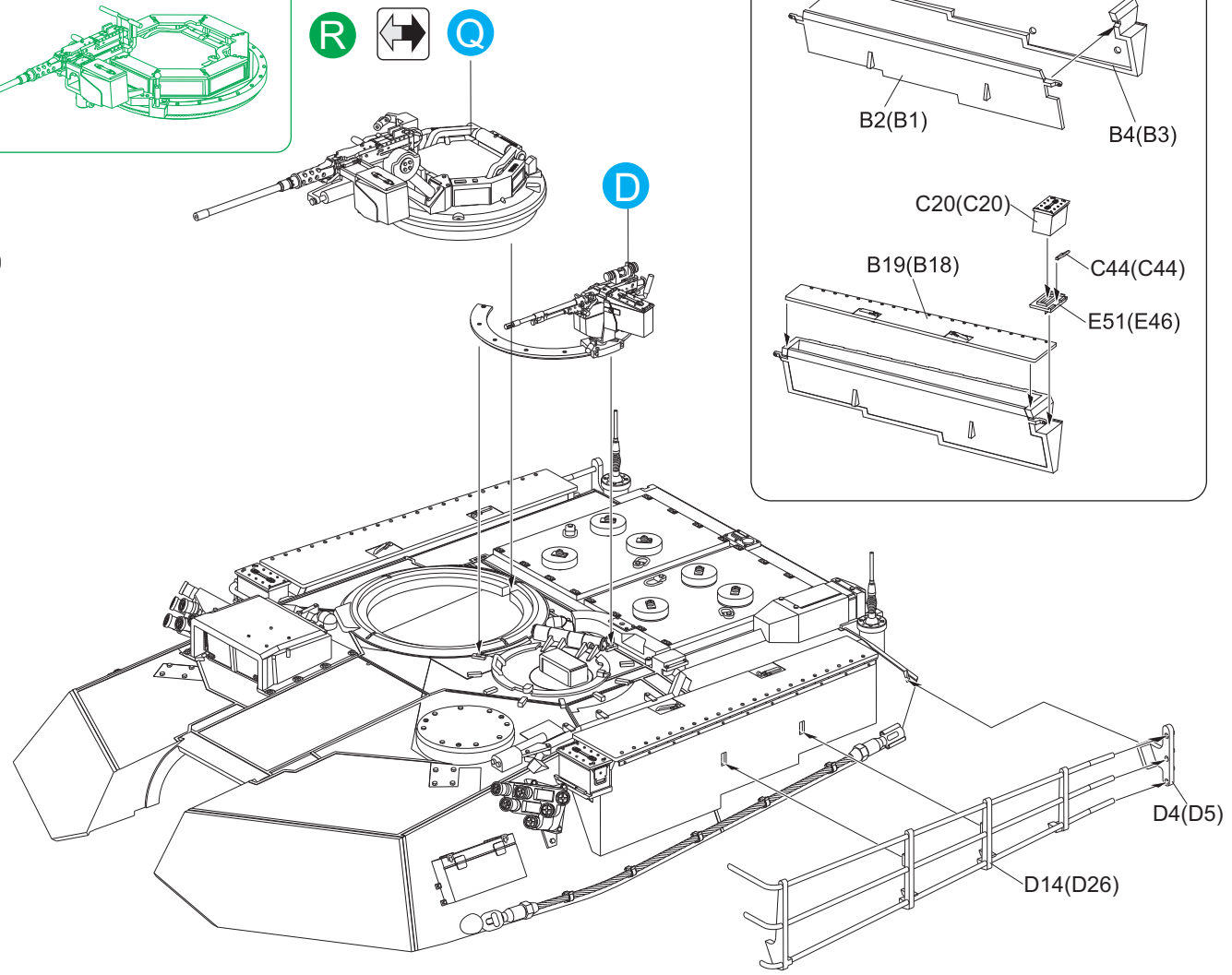


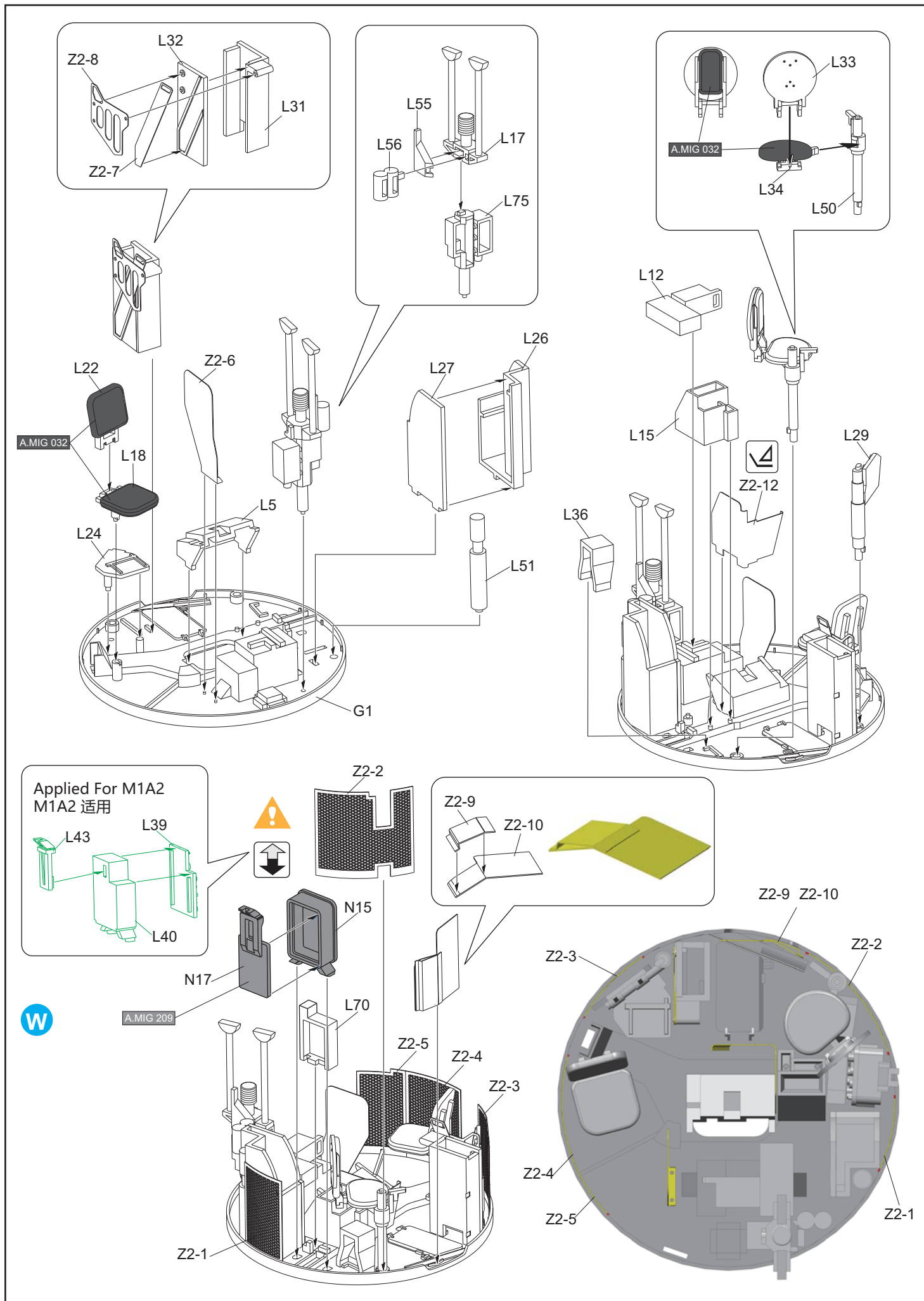
Applied For M1A2  
M1A2 适用

R ← → Q



6



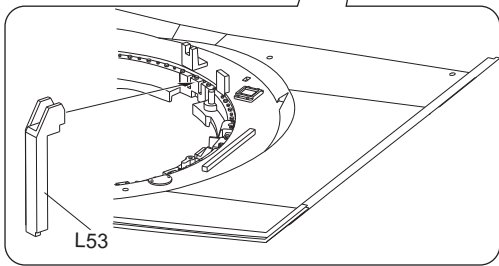
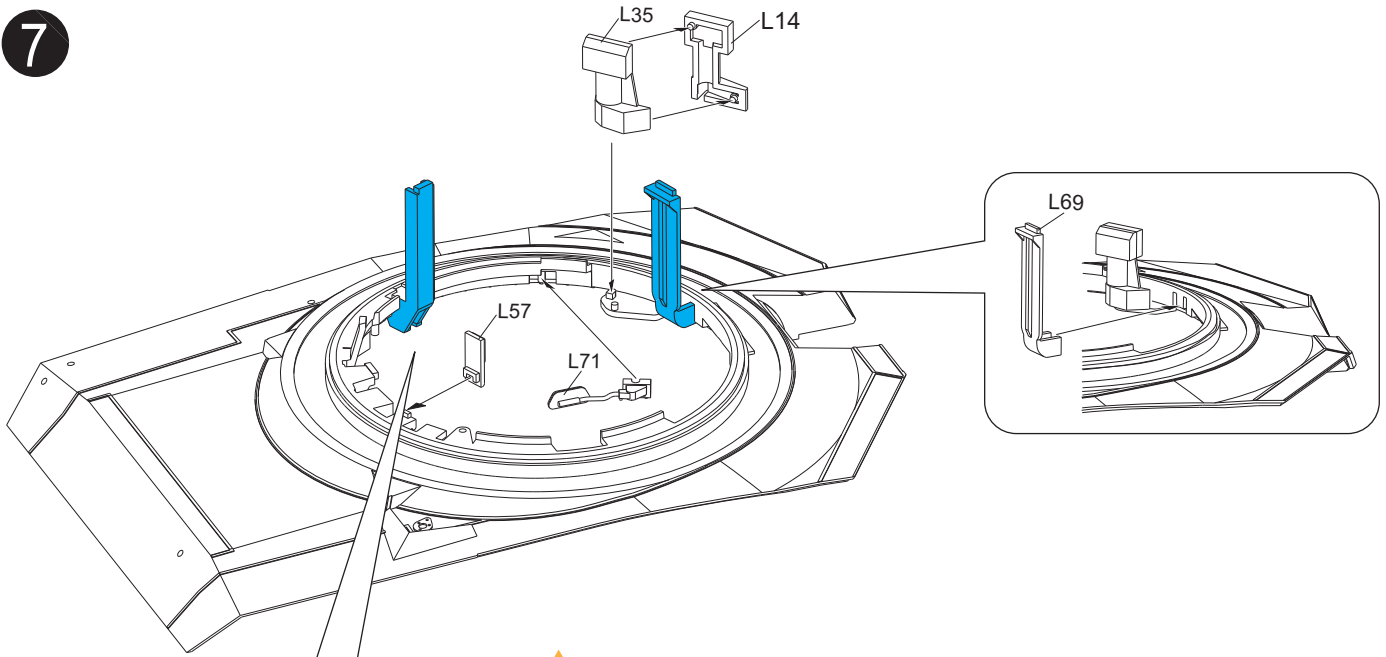


Applied For M1A2  
M1A2 适用



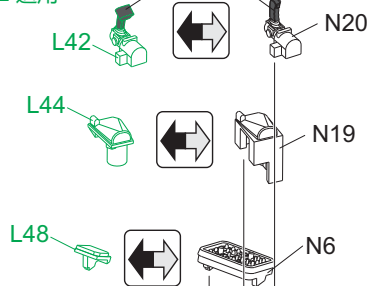


7



Applied For M1A2  
M1A2 适用

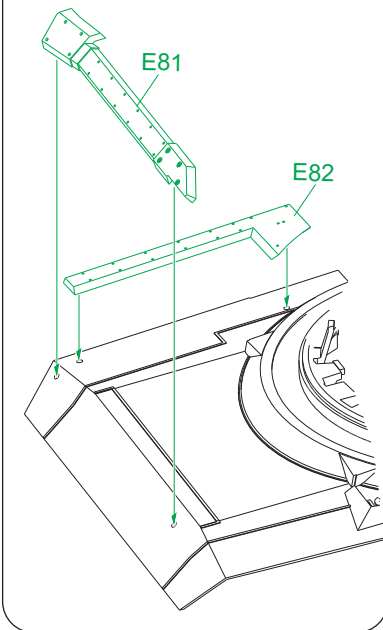
A.MIG 046



8



Applied For M1A2  
M1A2 适用

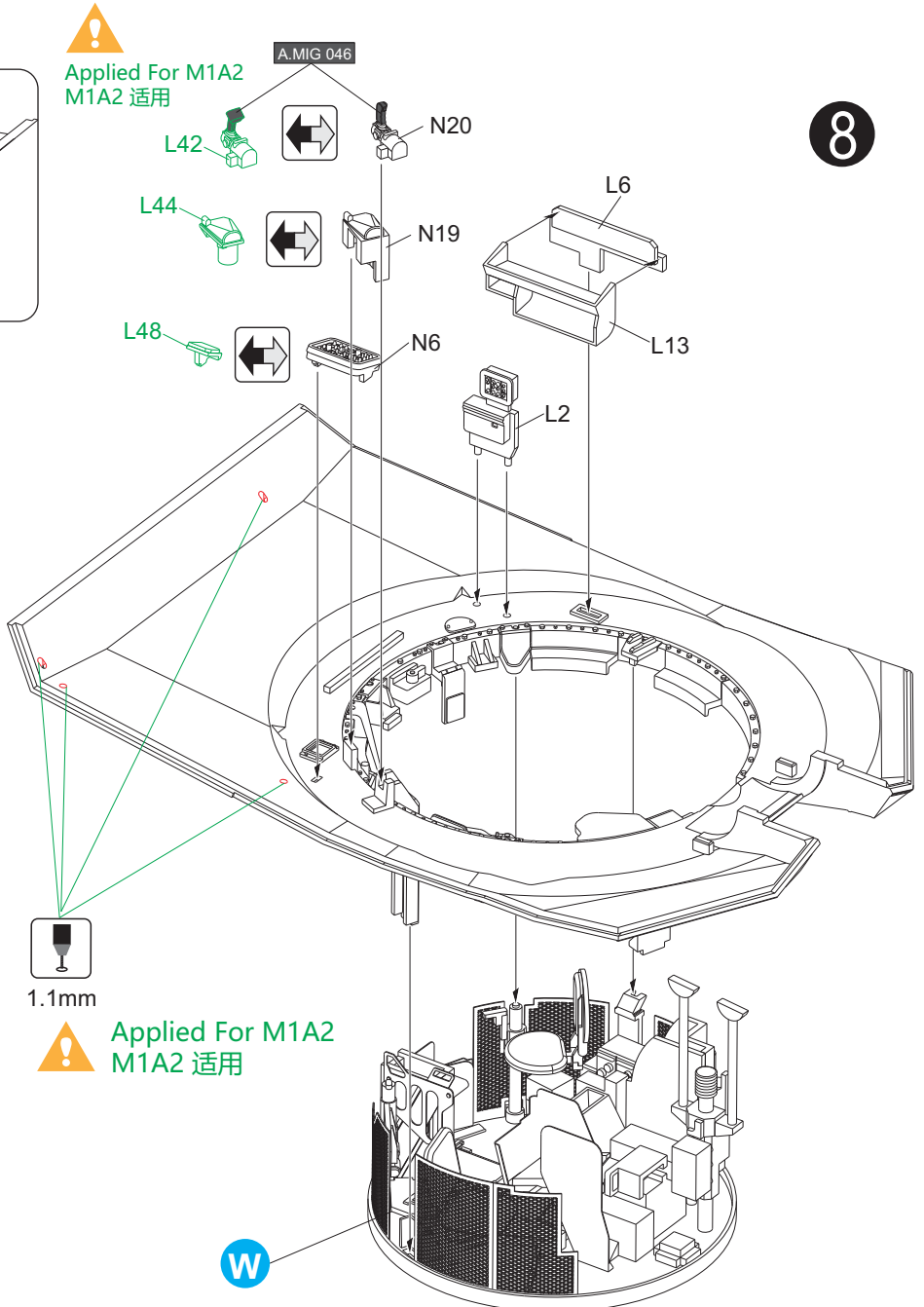


1.1mm

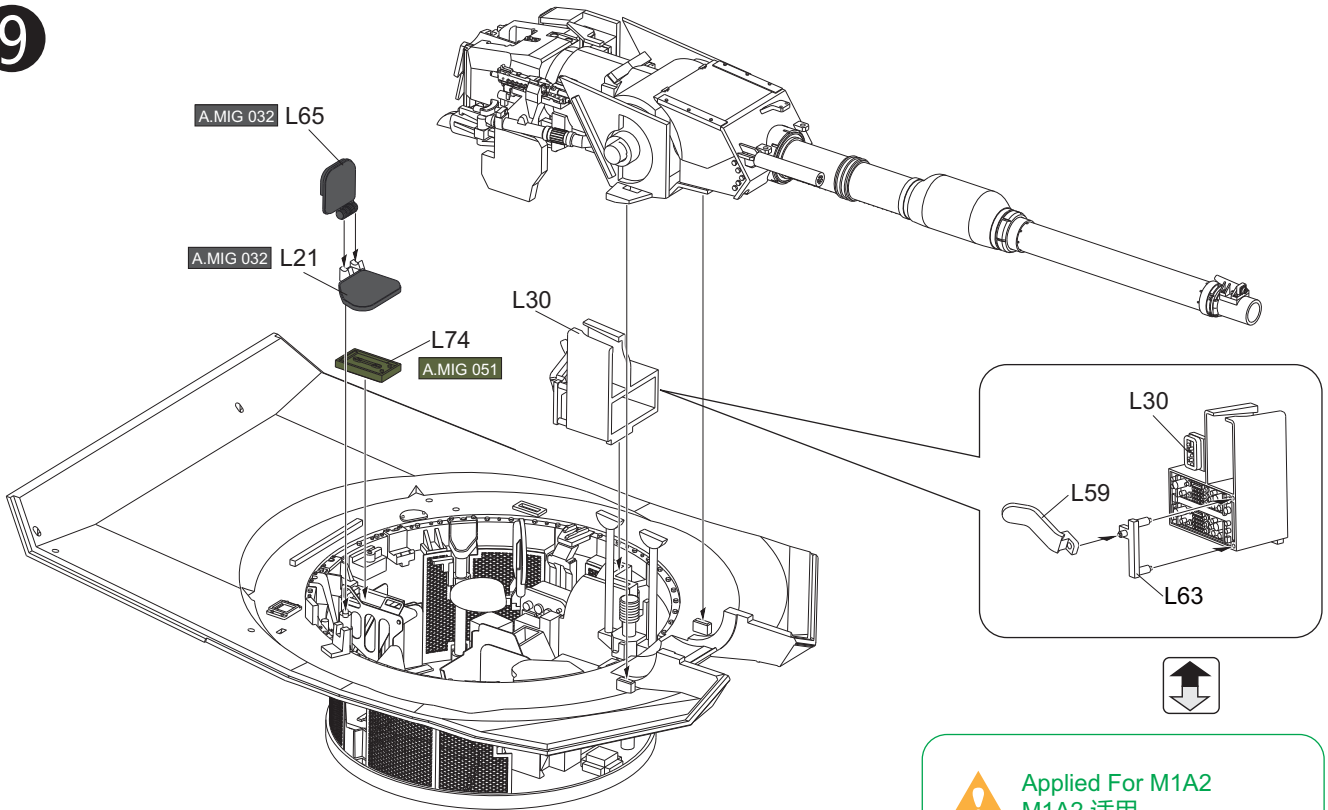


Applied For M1A2  
M1A2 适用

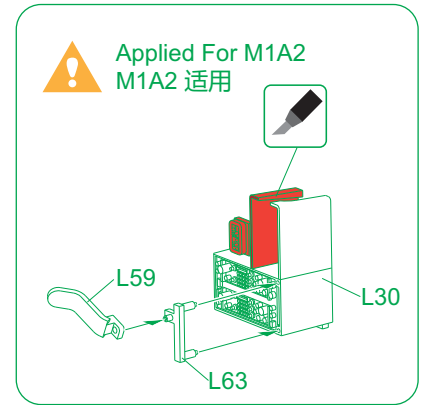
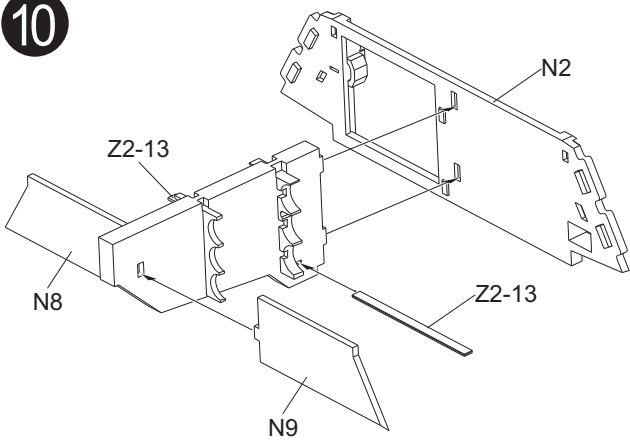
W



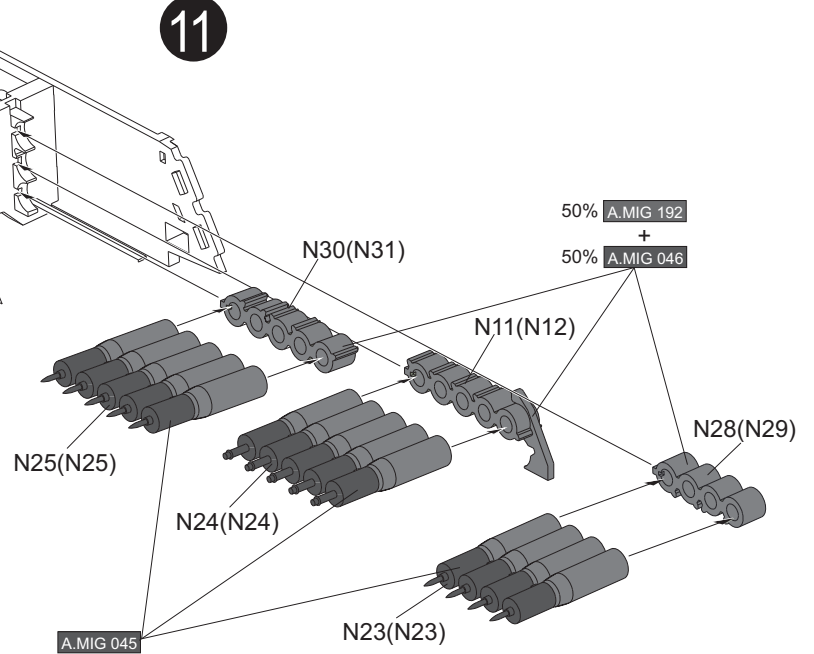
9

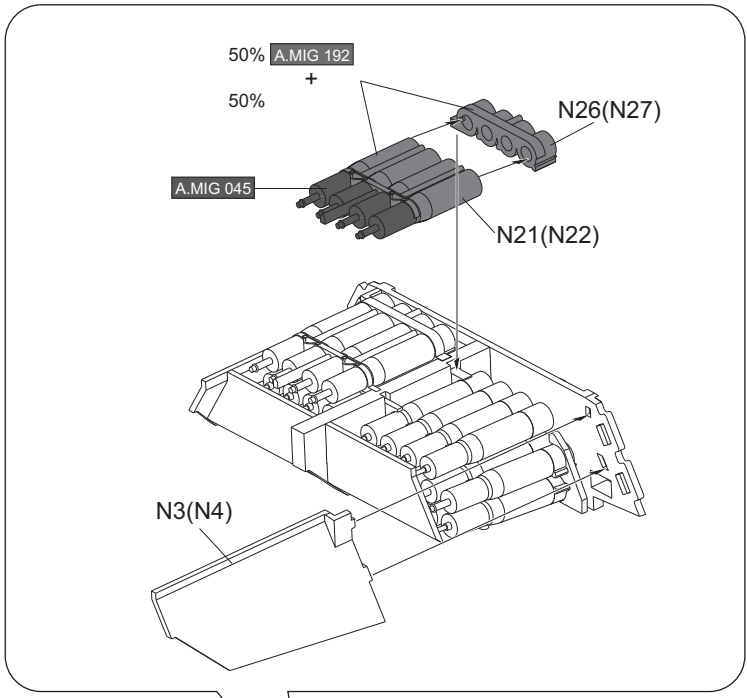
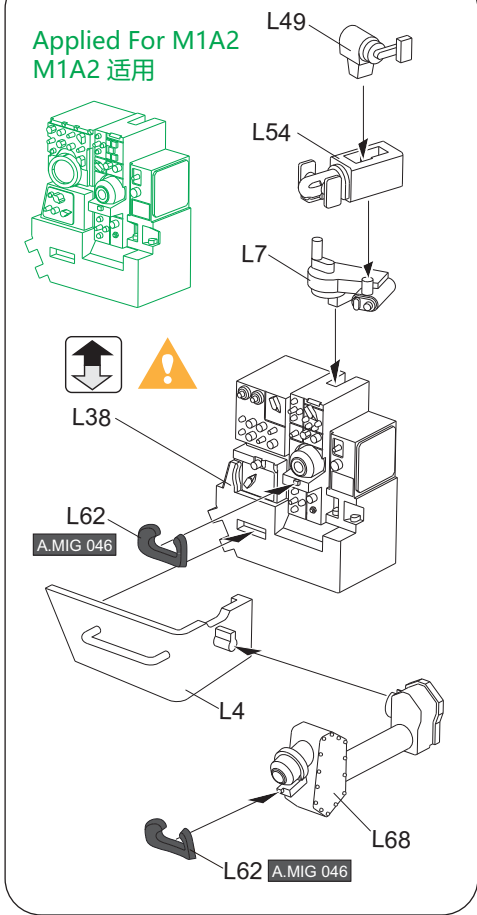
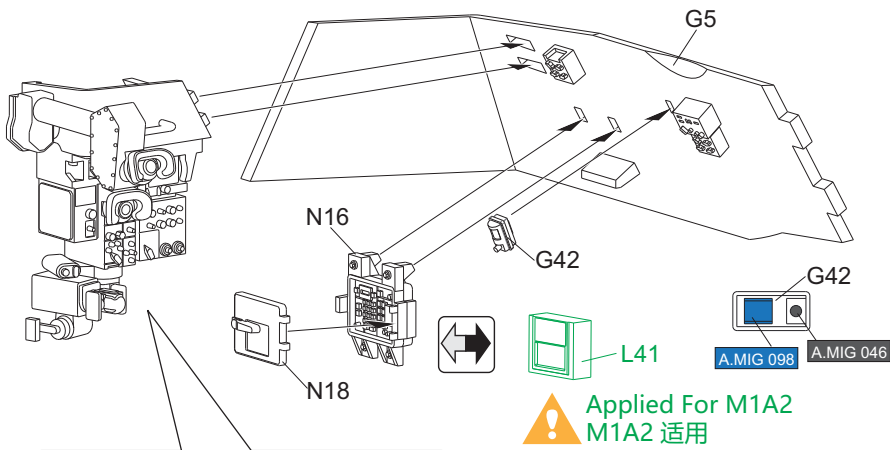


10

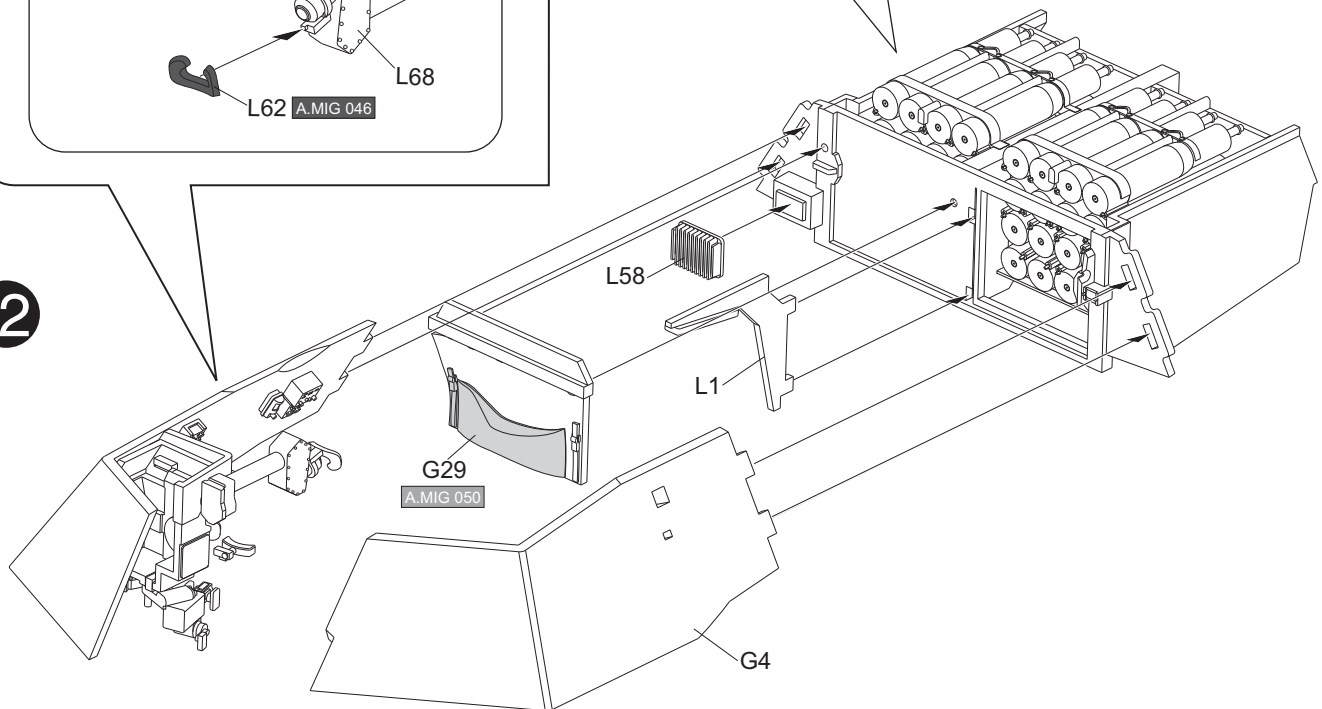


11



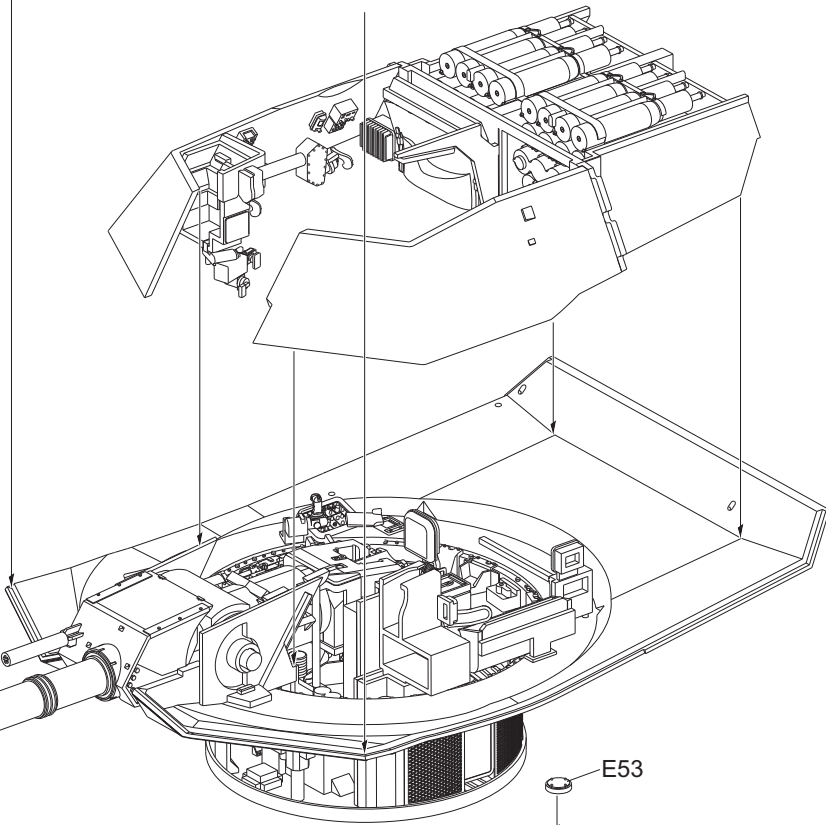
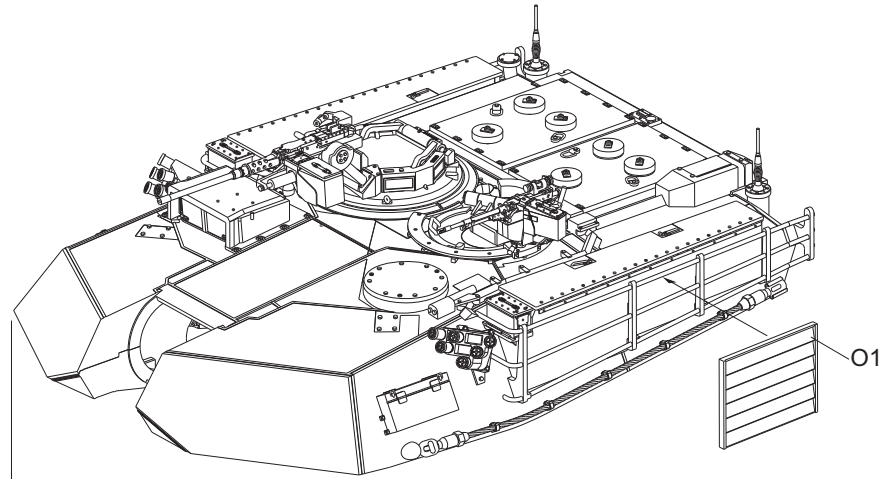


12

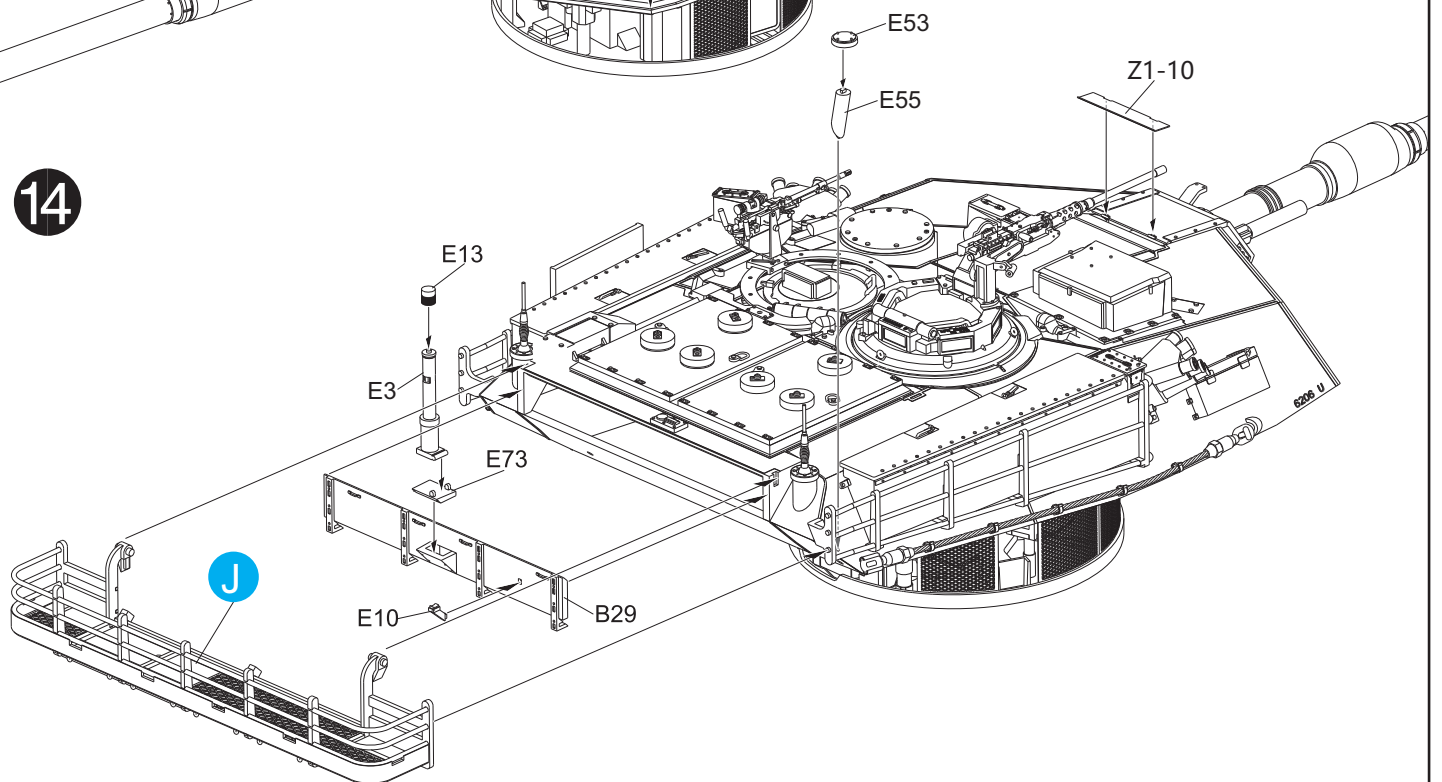




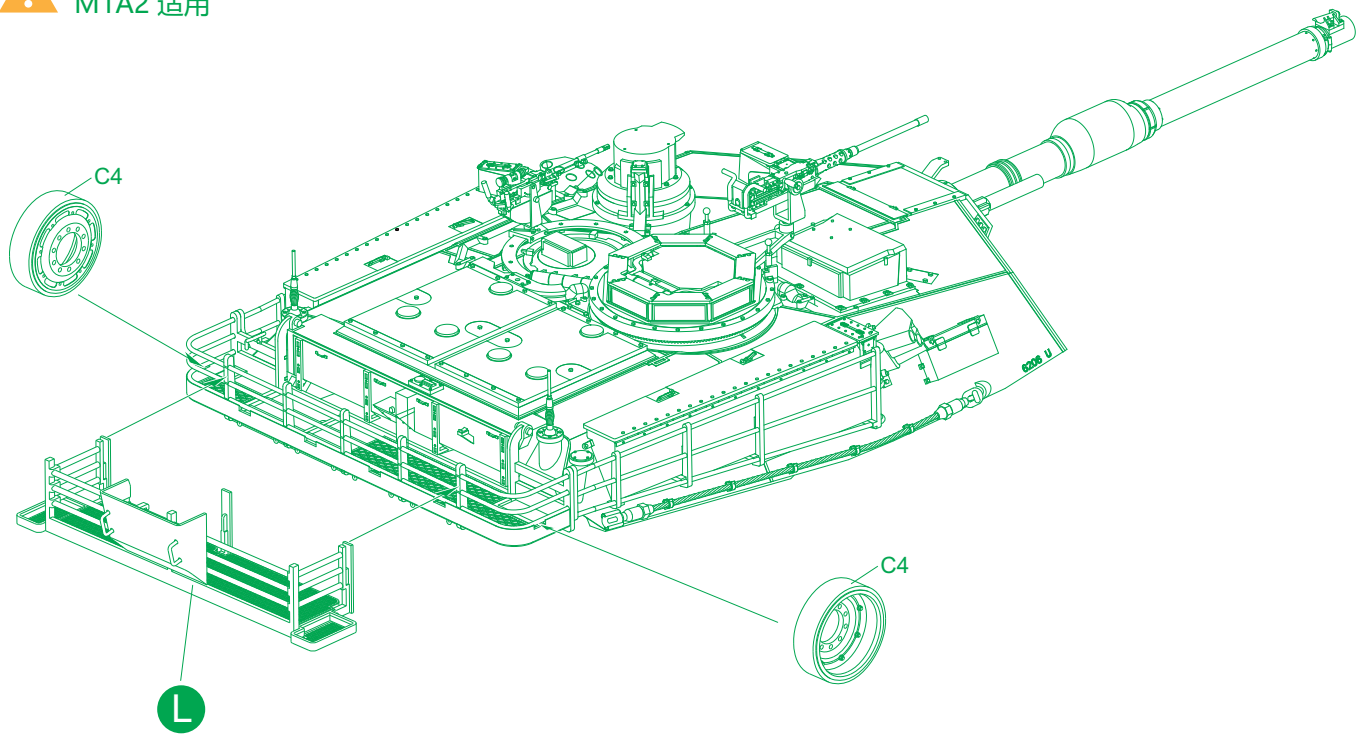
13



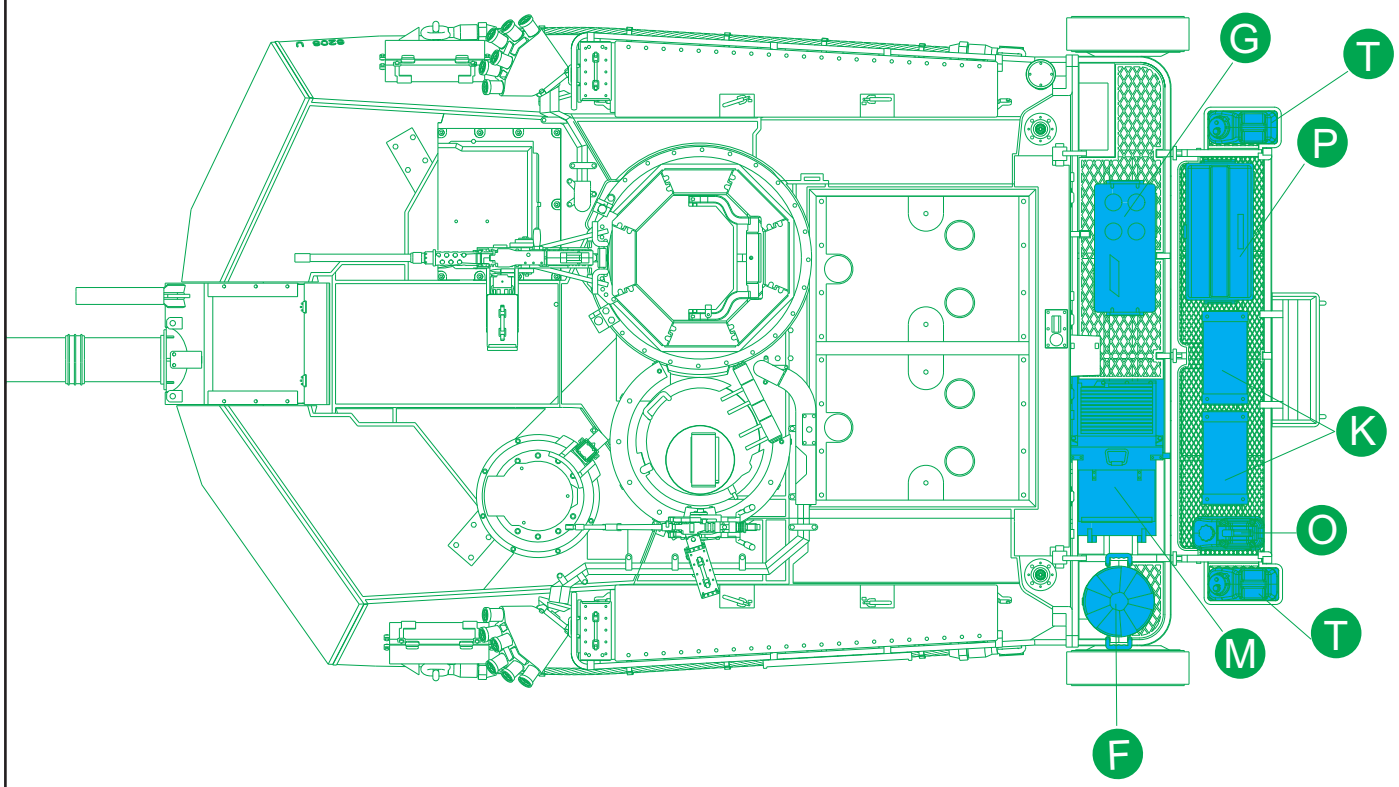
14



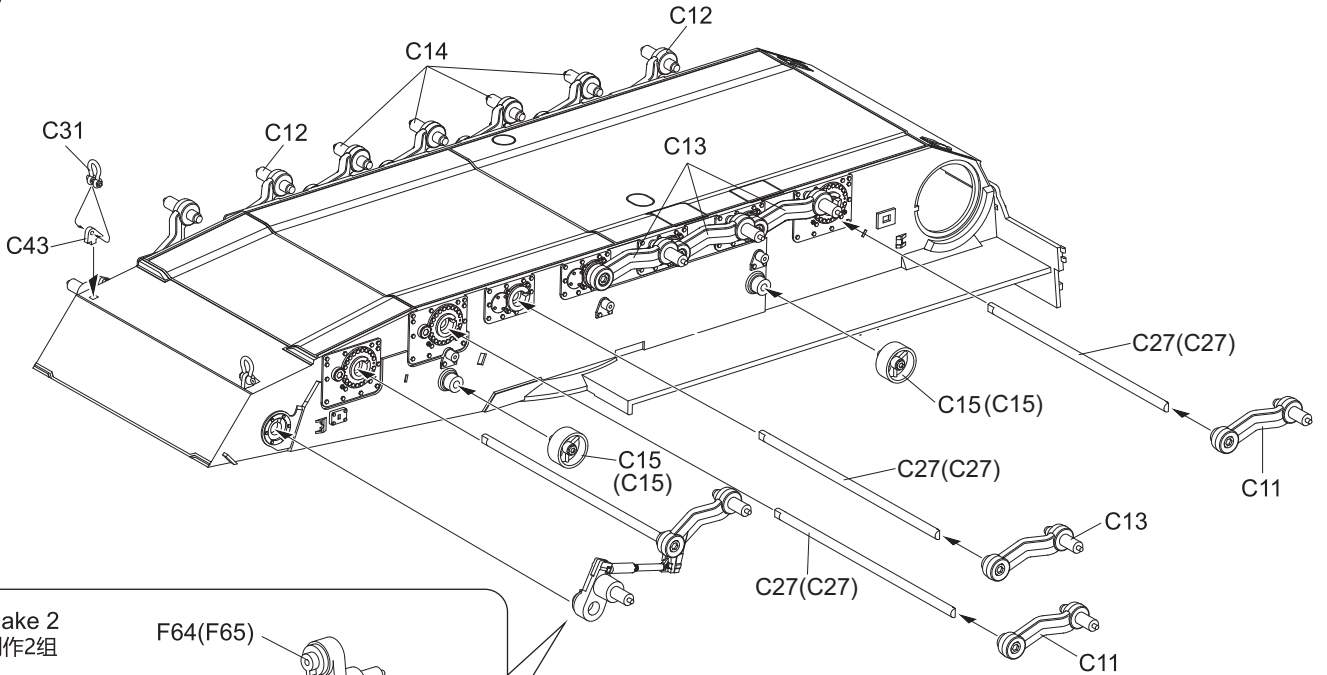
! Applied For M1A2  
M1A2 适用



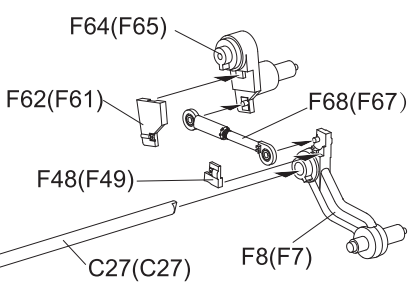
! Applied For M1A2  
M1A2 适用



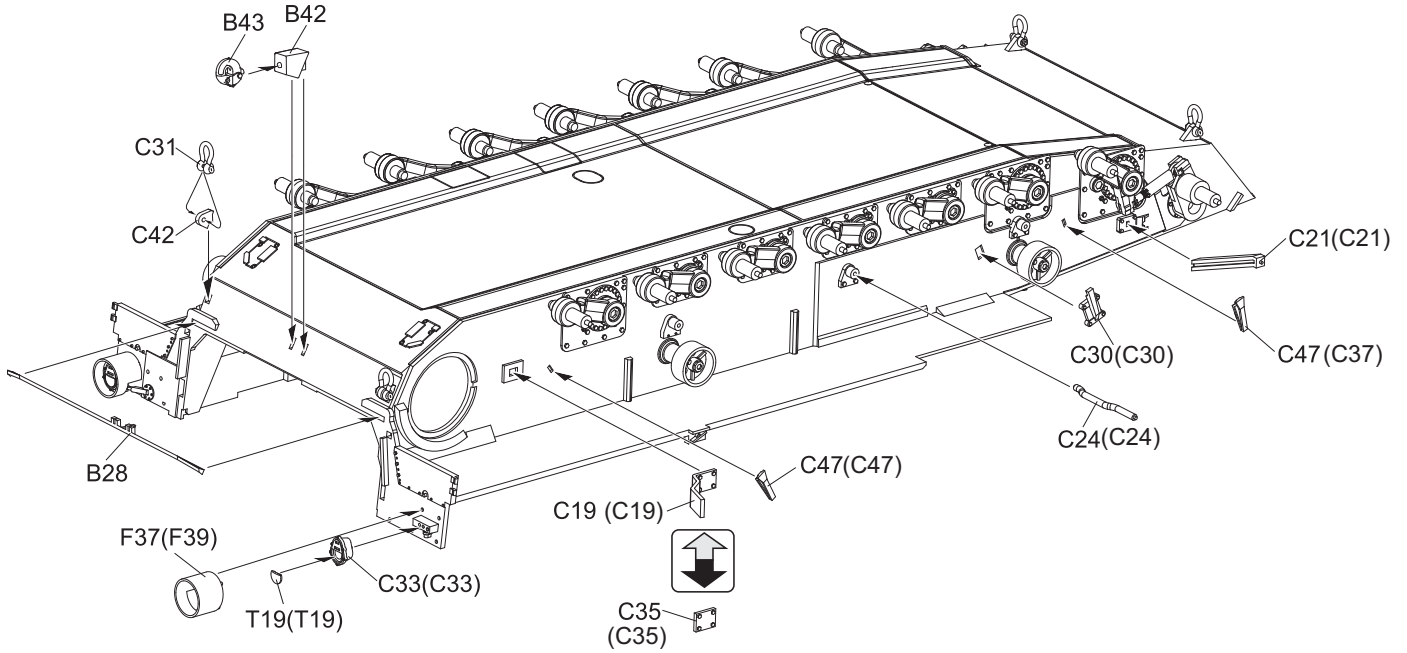
15



Make 2  
制作2组

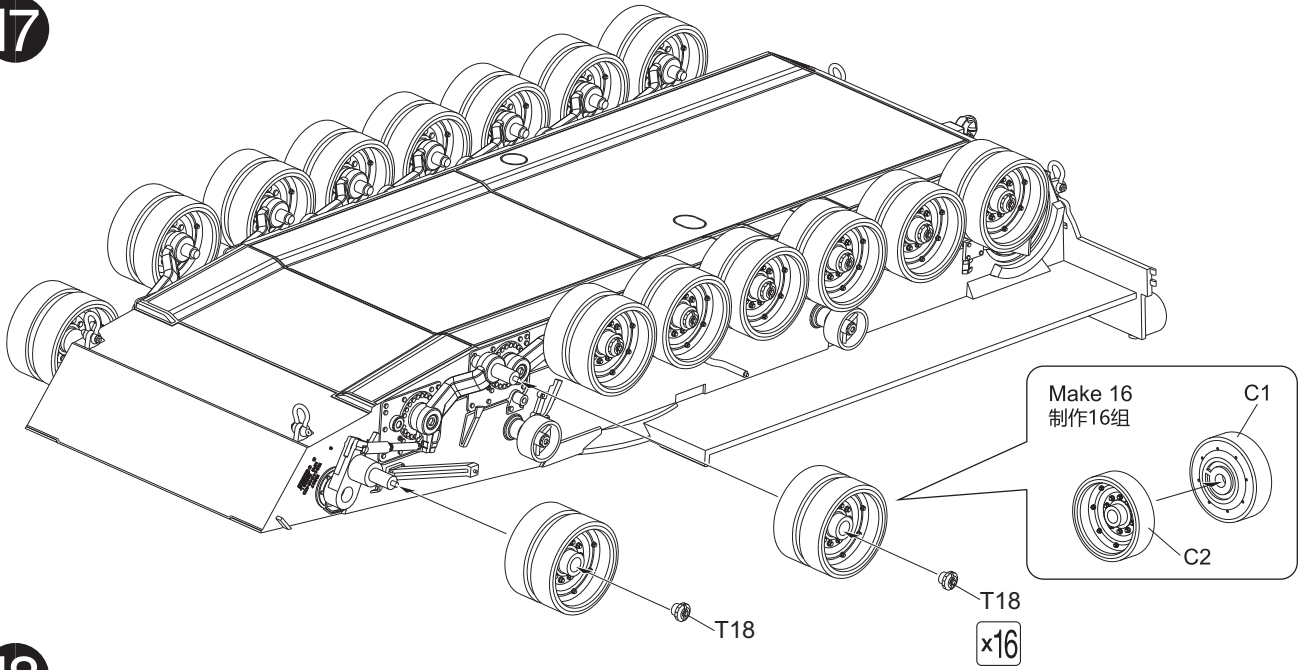


16

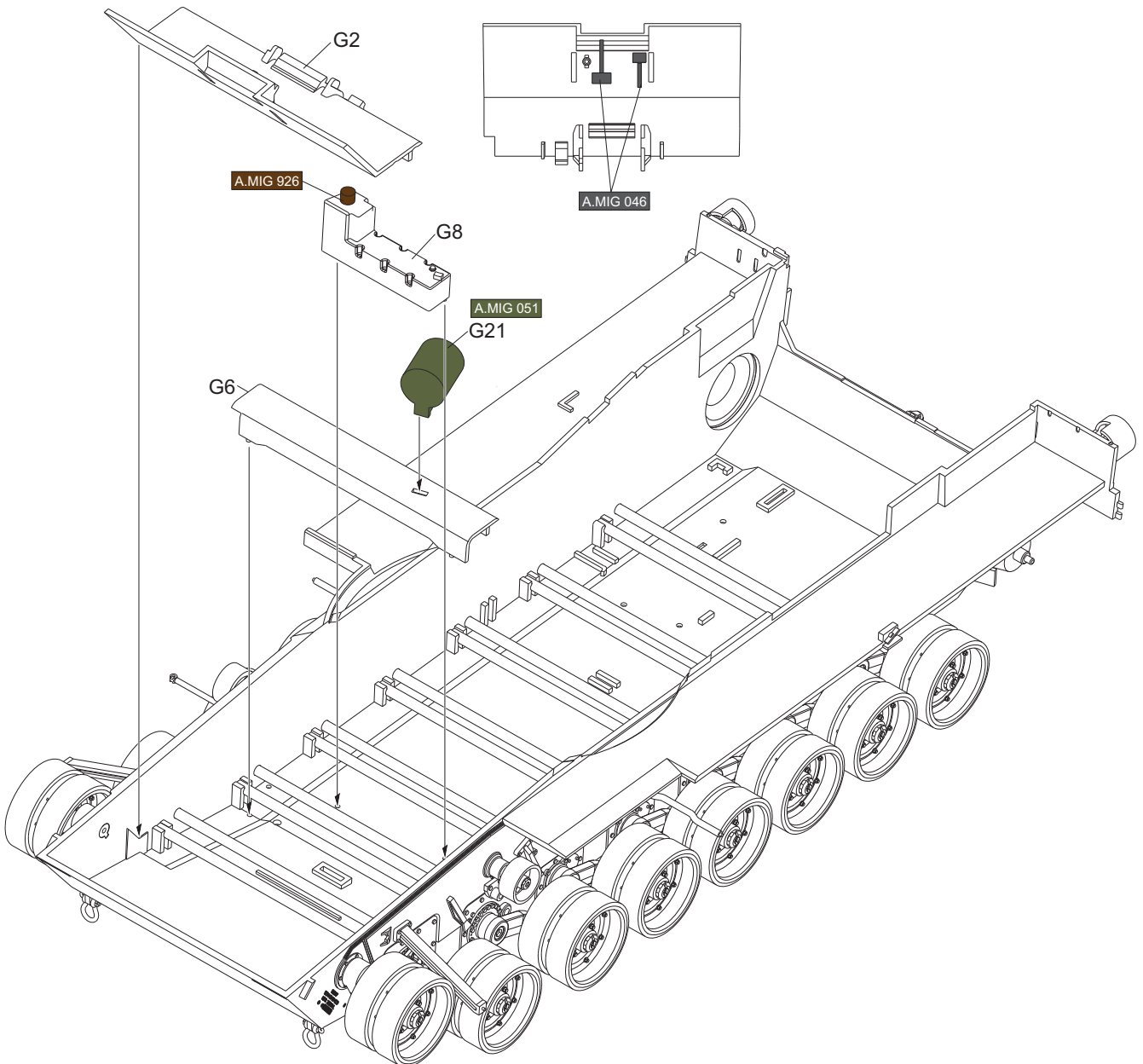




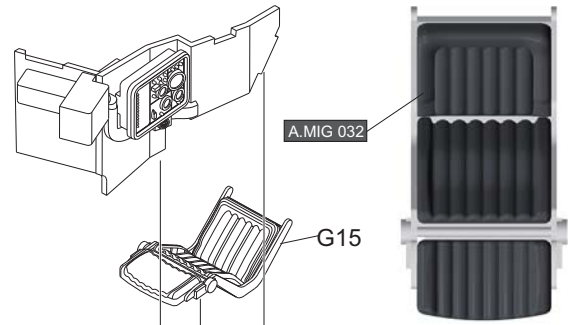
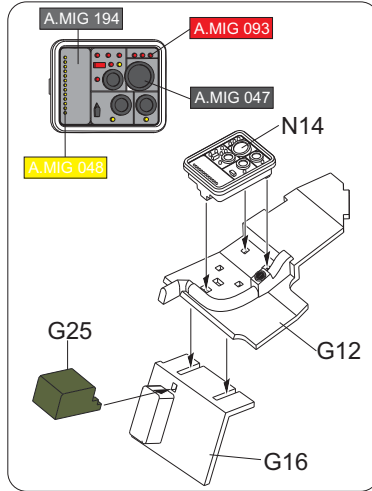
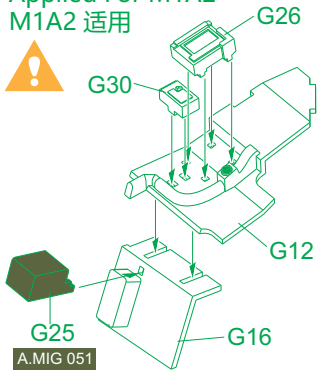
17



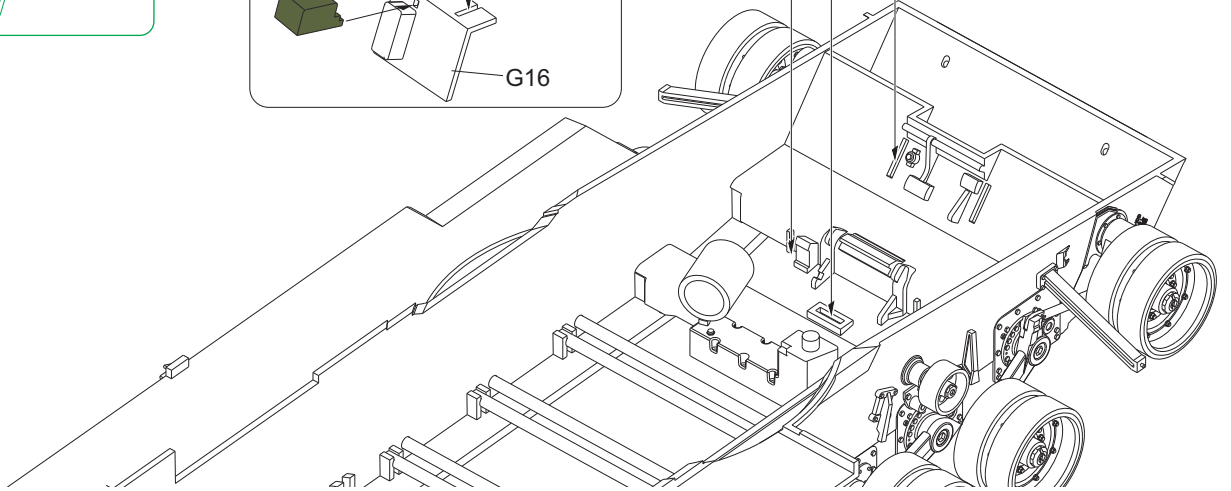
18



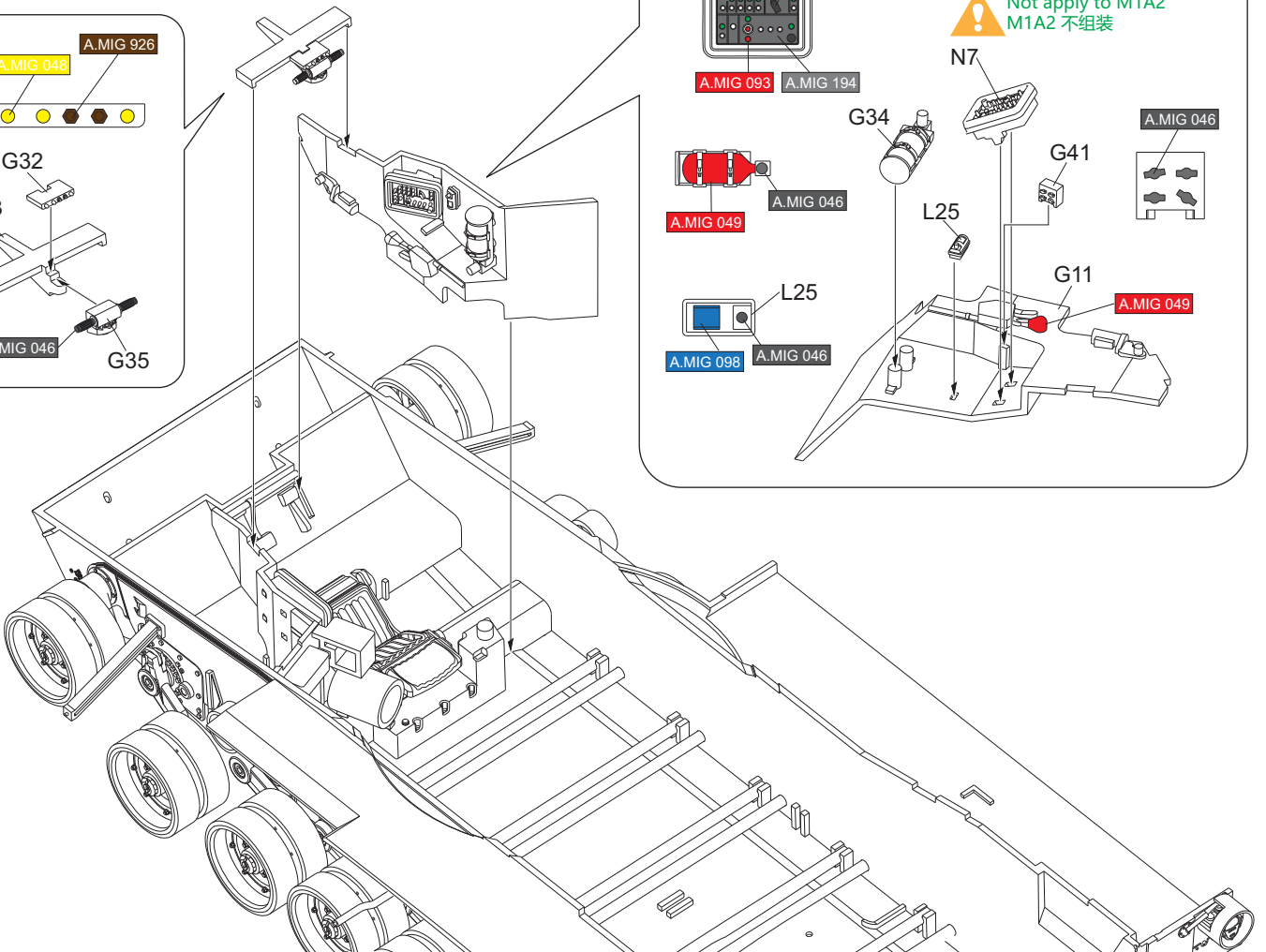
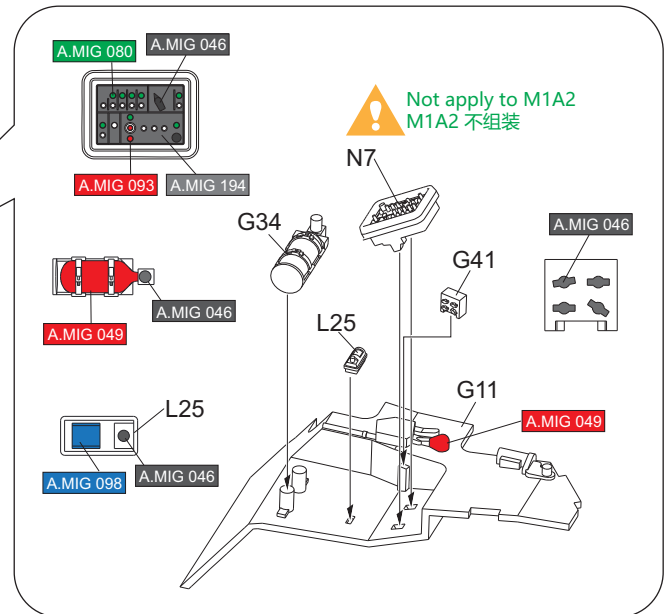
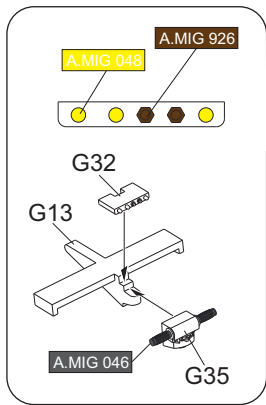
Applied For M1A2  
M1A2 适用

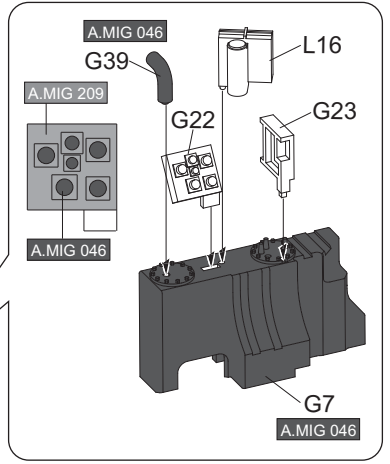
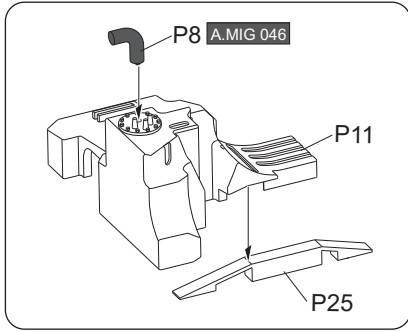


19

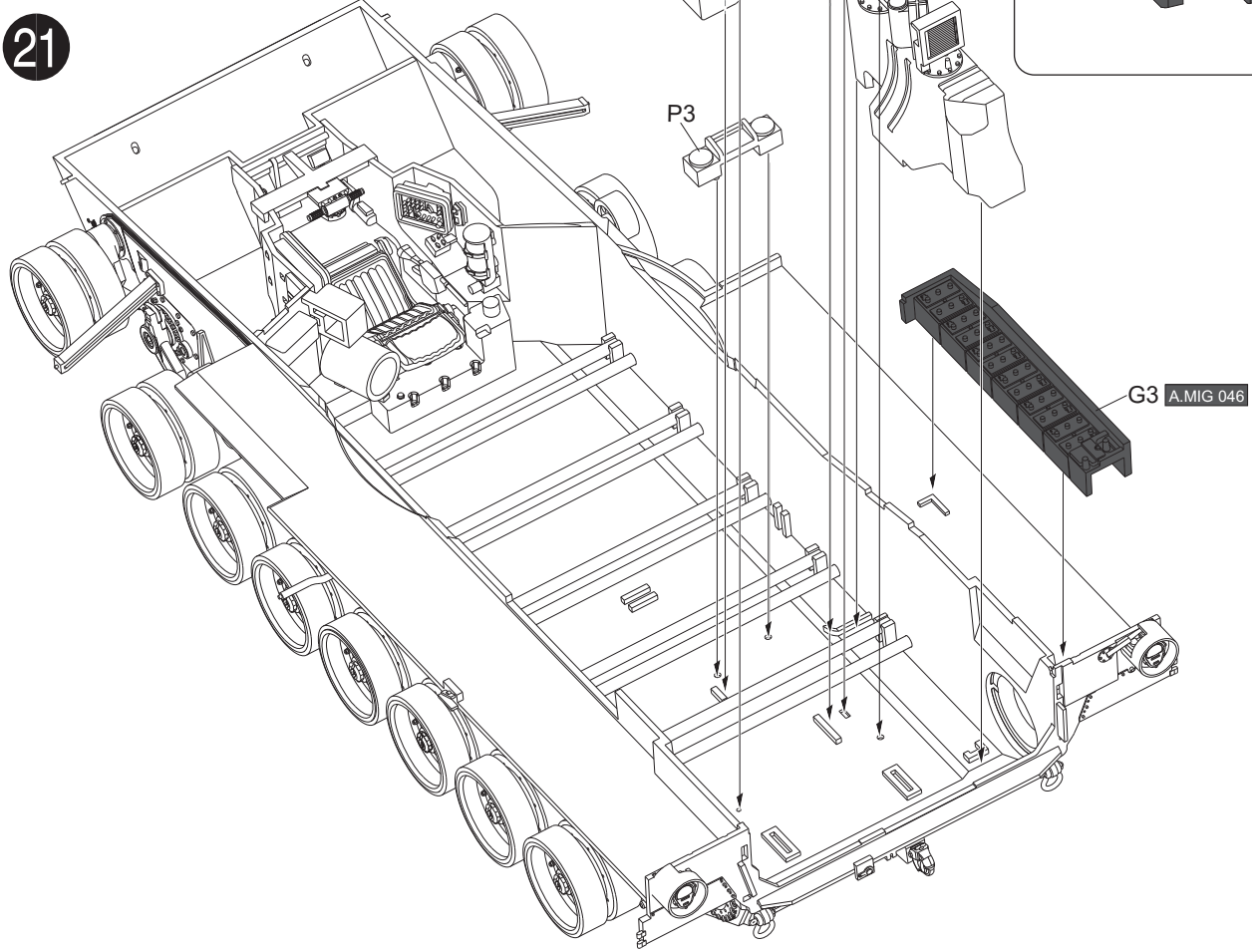


20

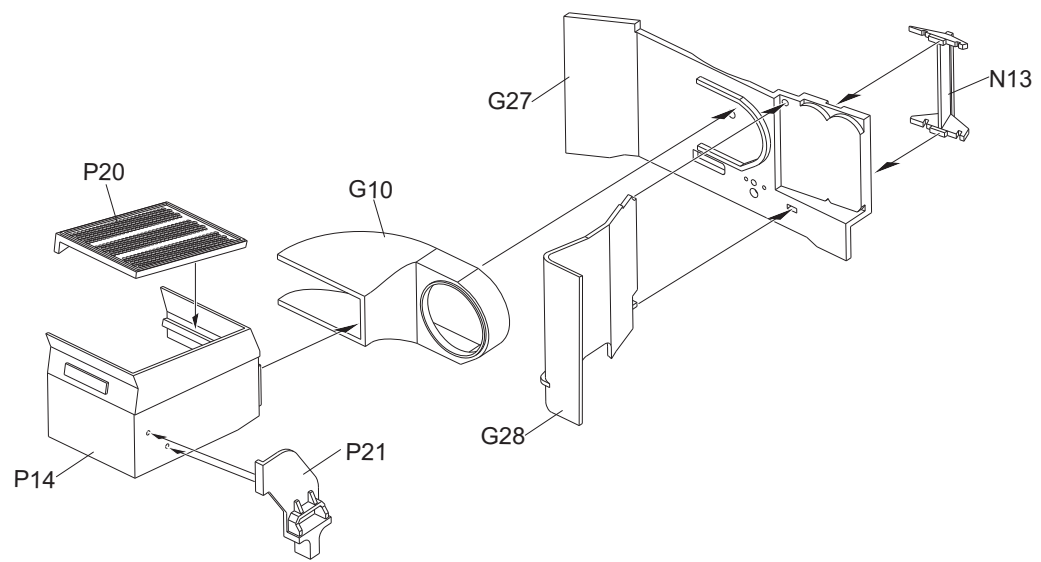




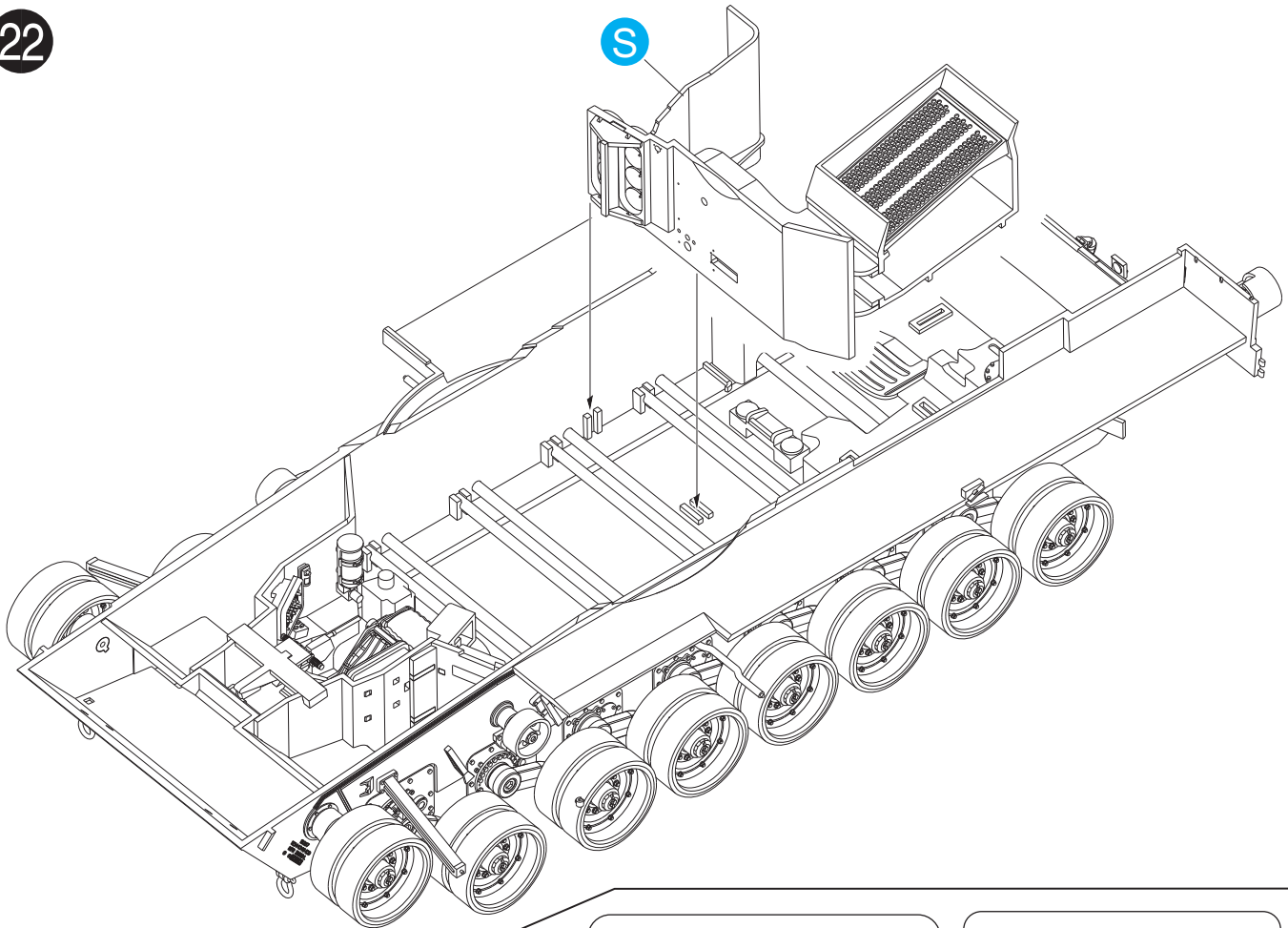
21



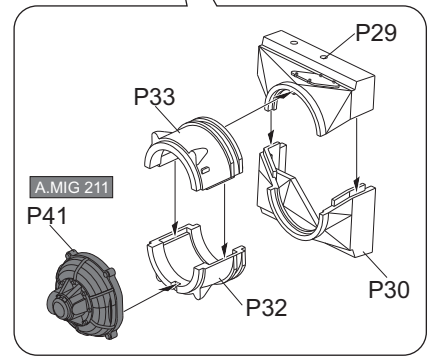
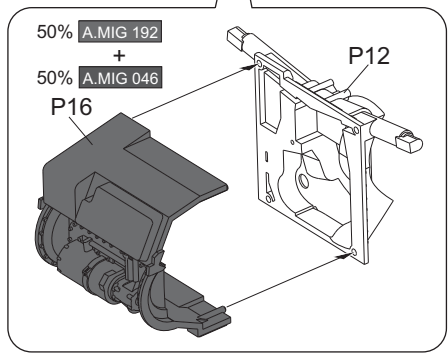
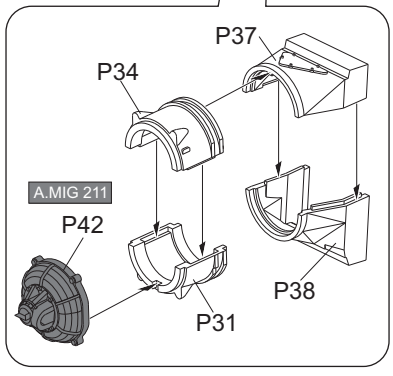
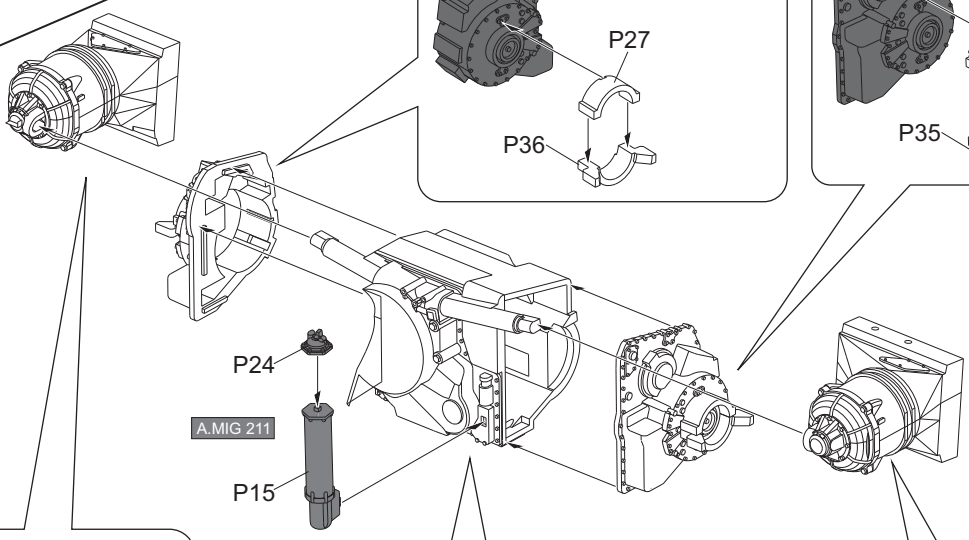
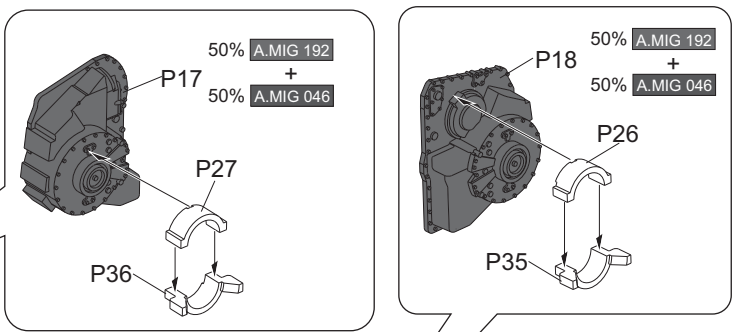
S



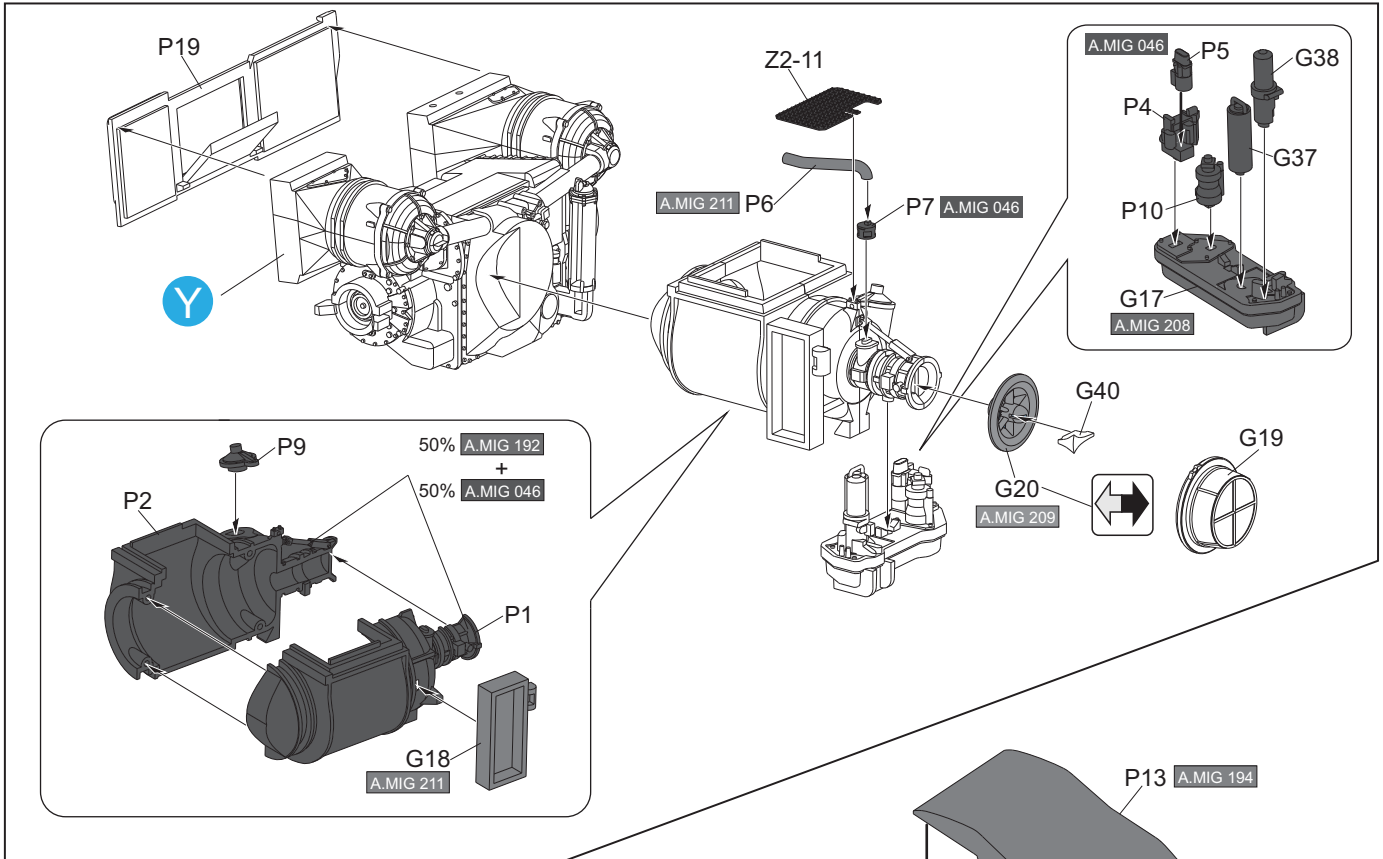
S



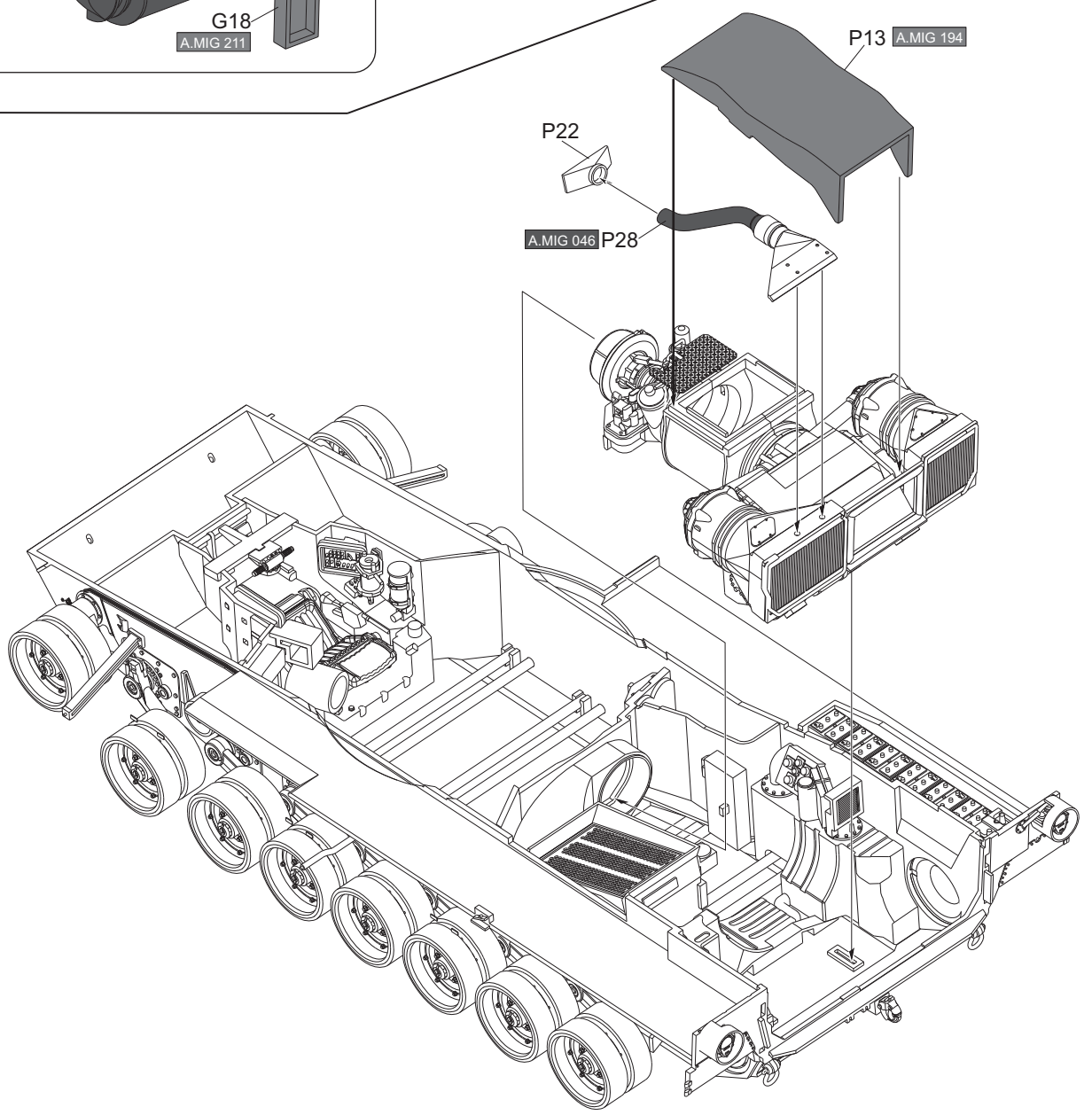
Y



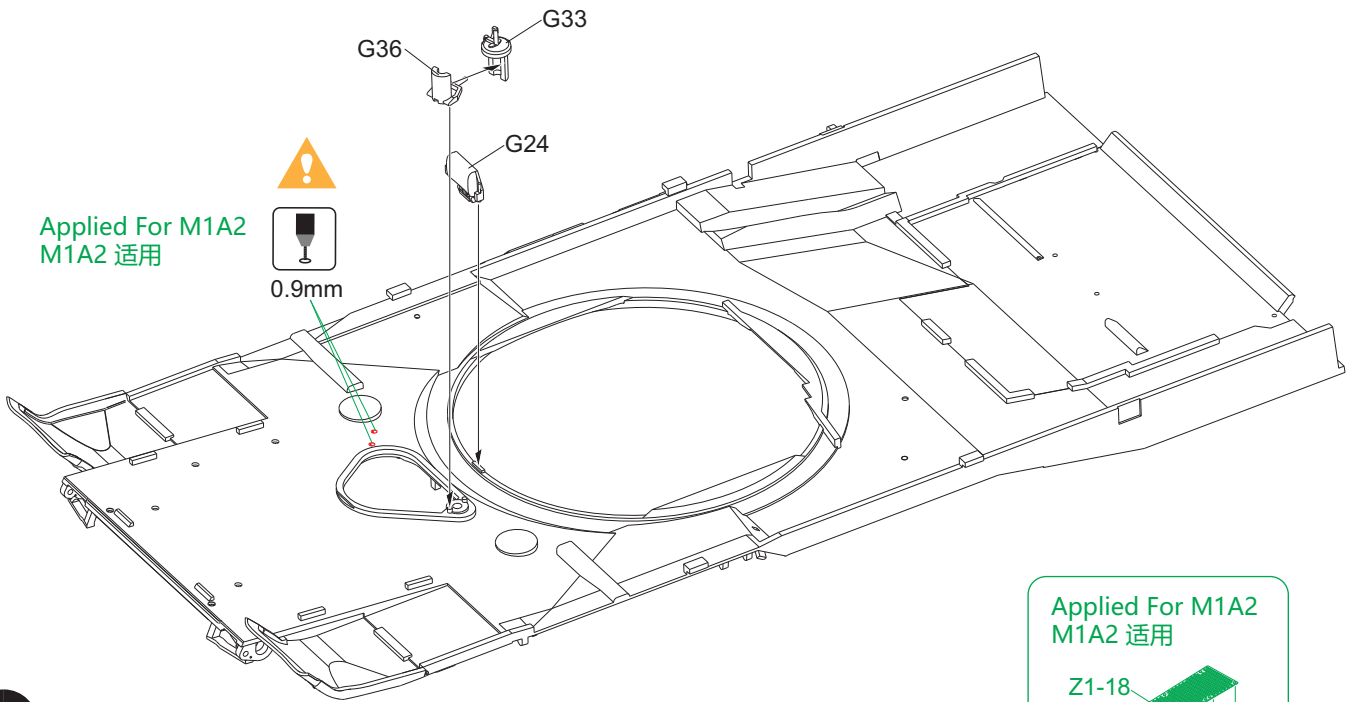




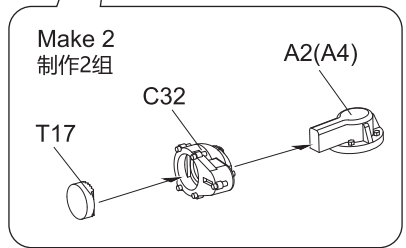
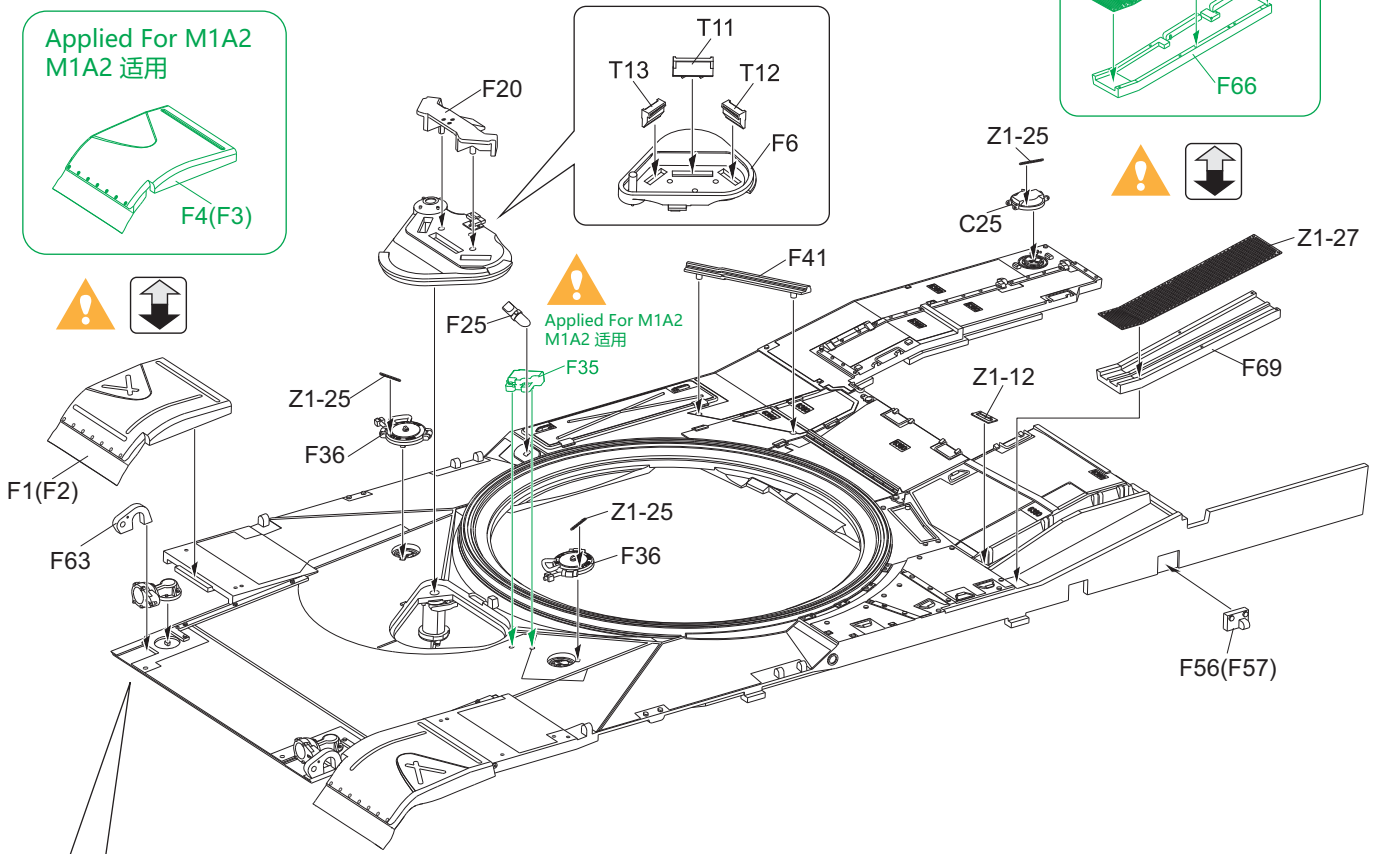
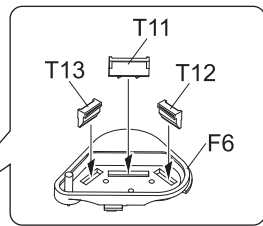
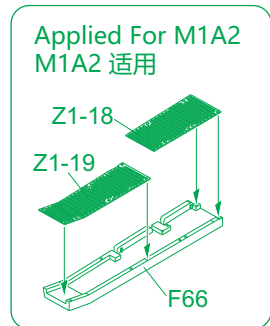
23

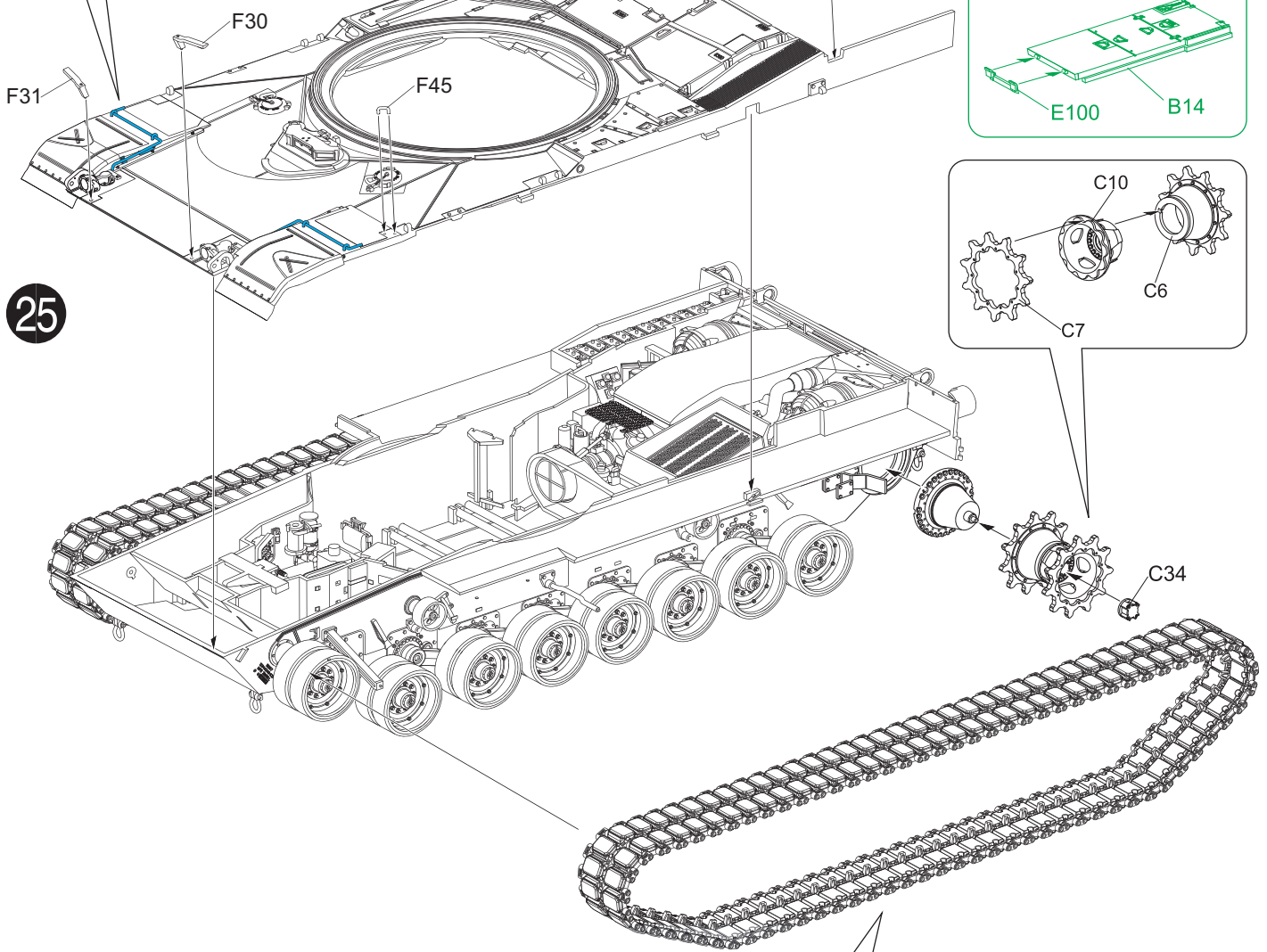
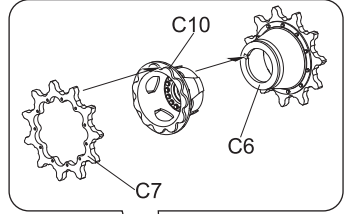
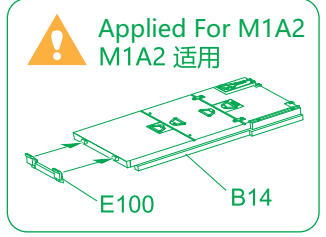
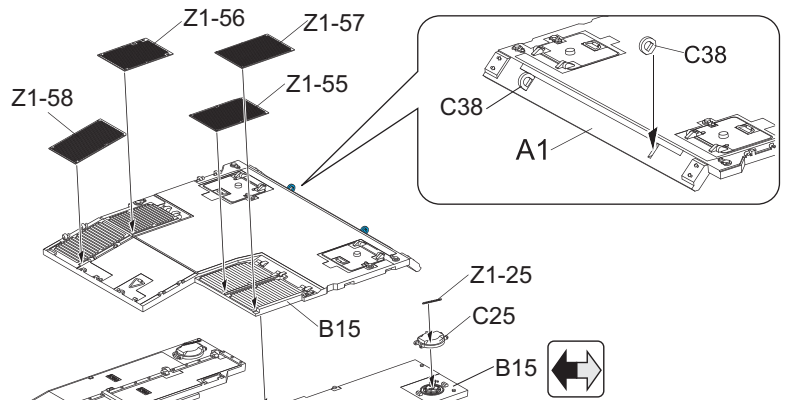
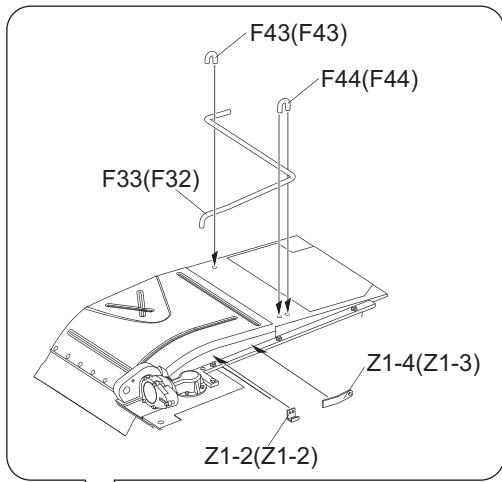


24

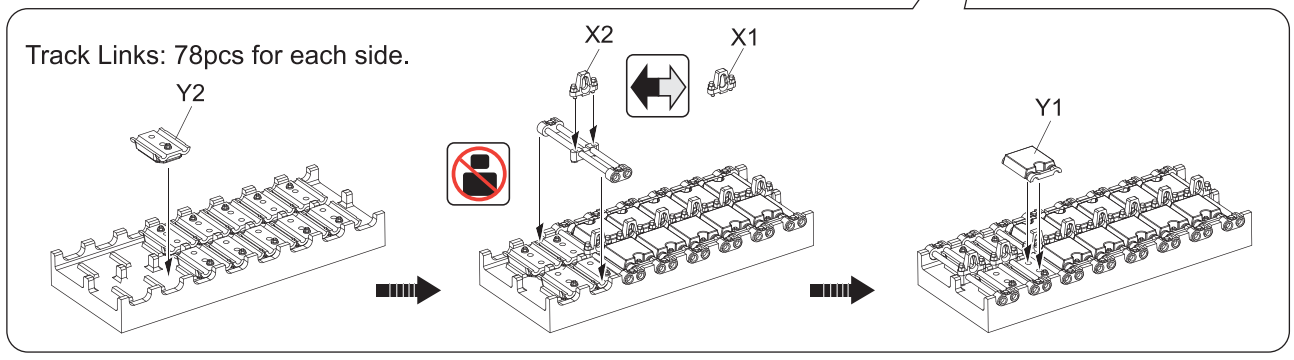


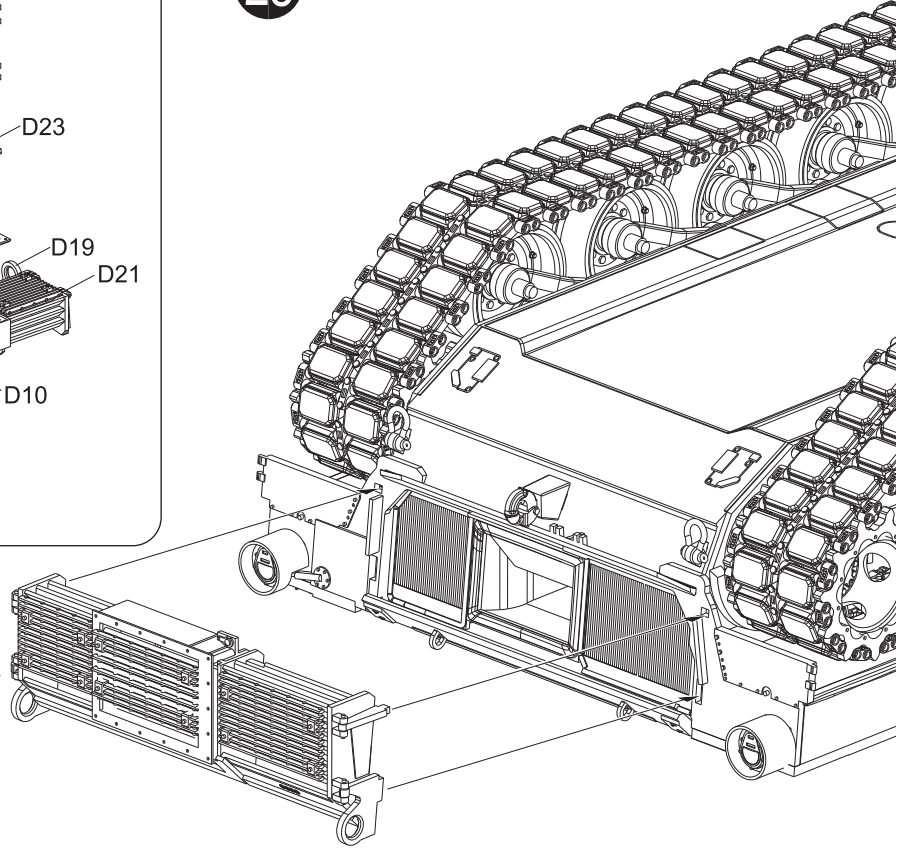
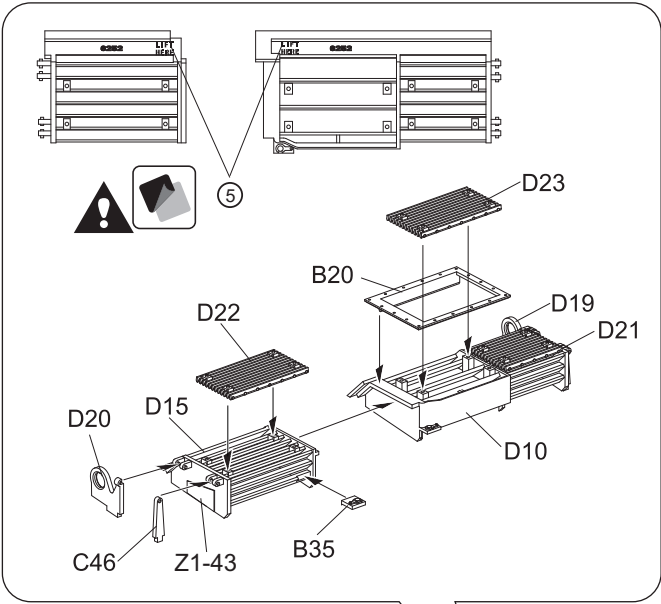
25





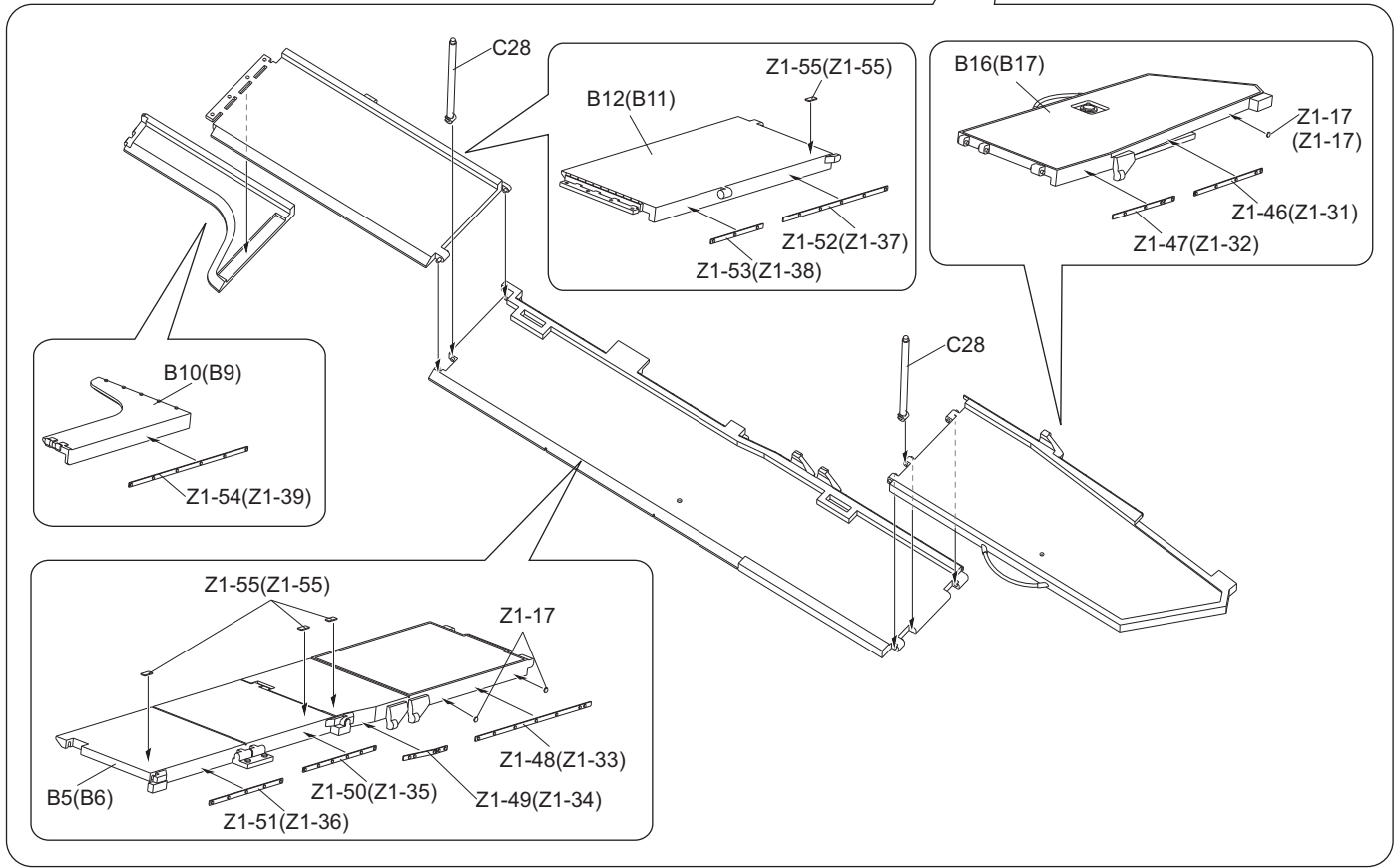
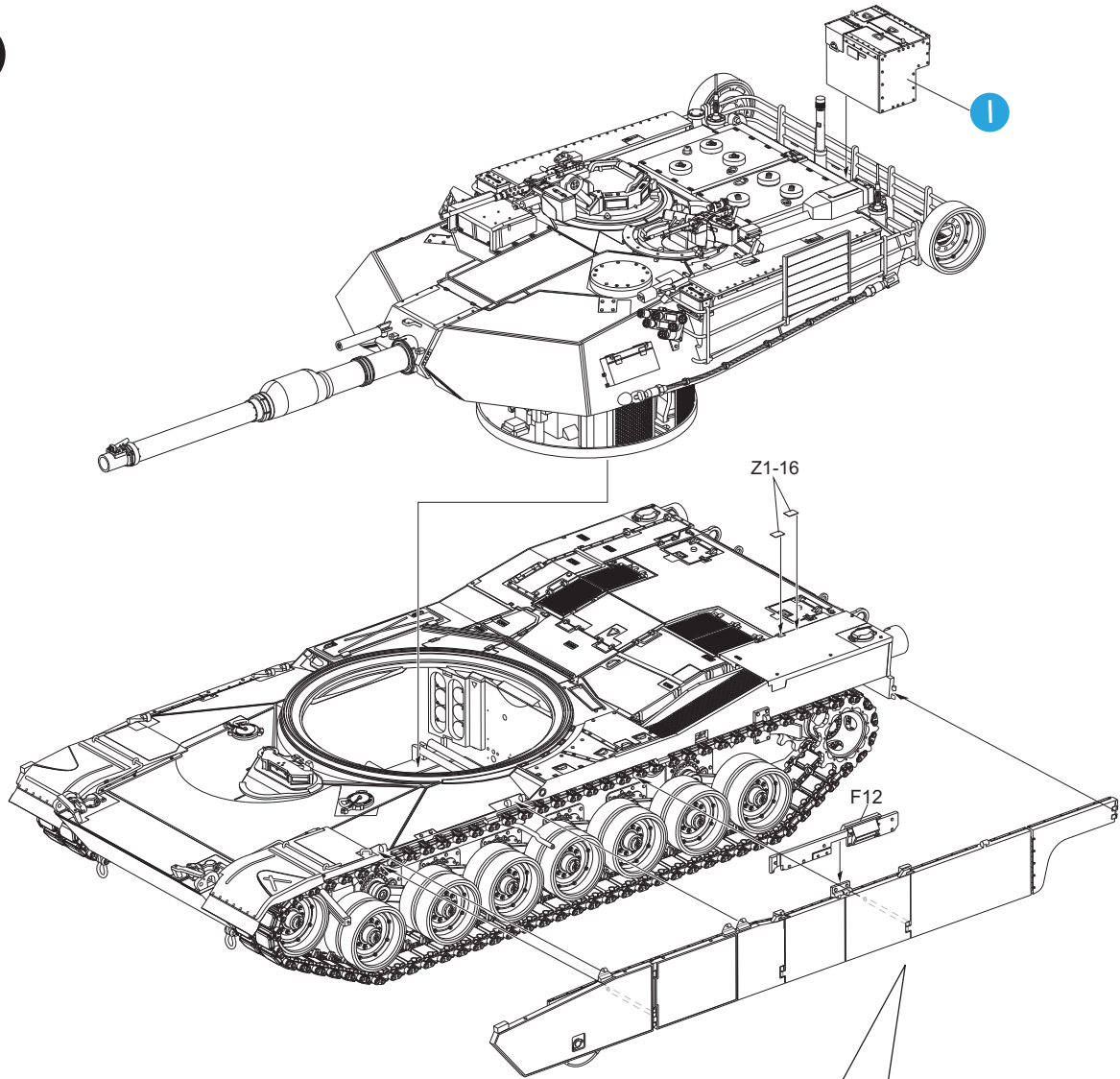
25

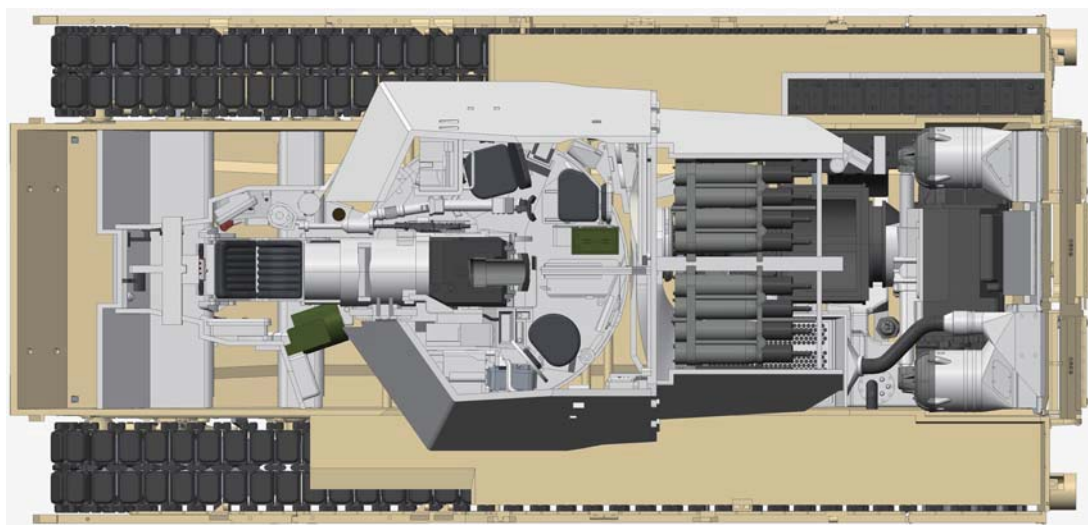
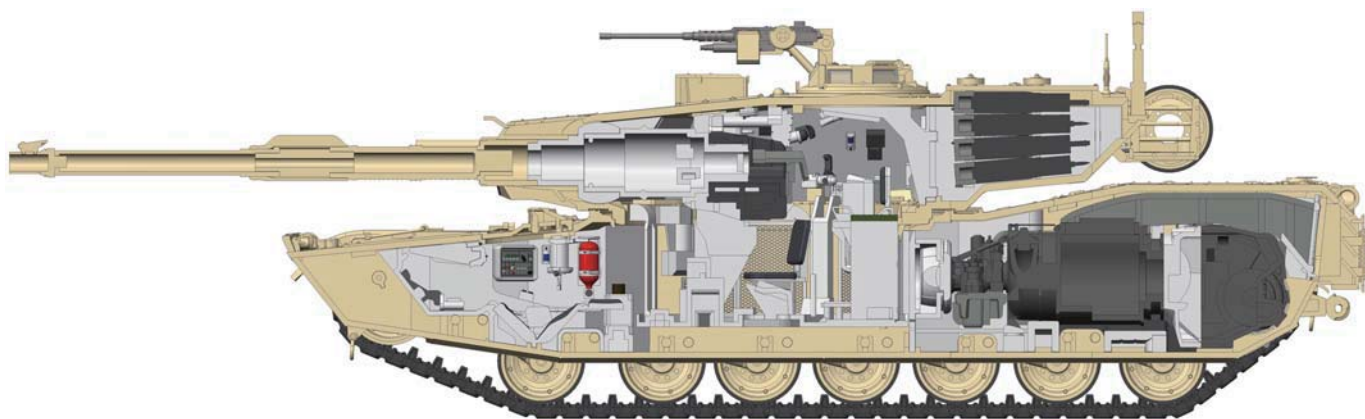










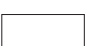

















27





	<b>A.MIG 032</b> Satin Black		<b>A.MIG 086</b> Blue (RAL 5019)
	<b>A.MIG 033</b> Rubber & Tires		<b>A.MIG 093</b> Crystal Red
	<b>A.MIG 045</b> Gun Metal		<b>A.MIG 095</b> Crystal Smoke
	<b>A.MIG 046</b> Matt Black		<b>A.MIG 098</b> Crystal Light Blue
	<b>A.MIG 047</b> White		<b>A.MIG 191</b> Steel
	<b>A.MIG 048</b> Yellow		<b>A.MIG 192</b> Polishead Metal
	<b>A.MIG 049</b> Red		<b>A.MIG 194</b> Aluminium
	<b>A.MIG 050</b> Matt White		<b>A.MIG 208</b> Dark Compass Gray
	<b>A.MIG 051</b> Light Green		<b>A.MIG 209</b> Light Green
	<b>A.MIG 084</b> NATO Green		<b>A.MIG 211</b> Medium Gray
	<b>A.MIG 085</b> NATO Brown		<b>A.MIG 926</b> Olive Drab Base